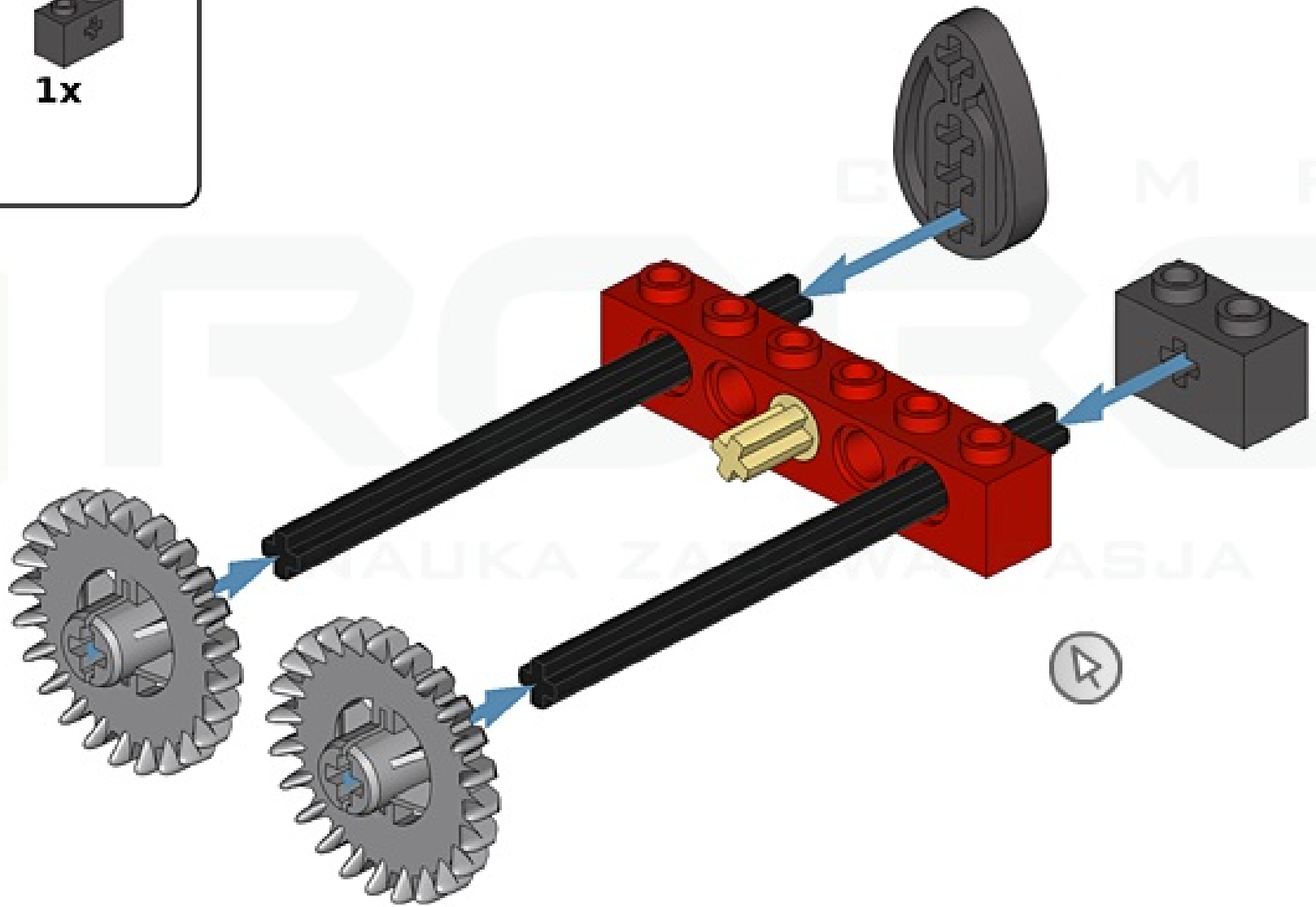
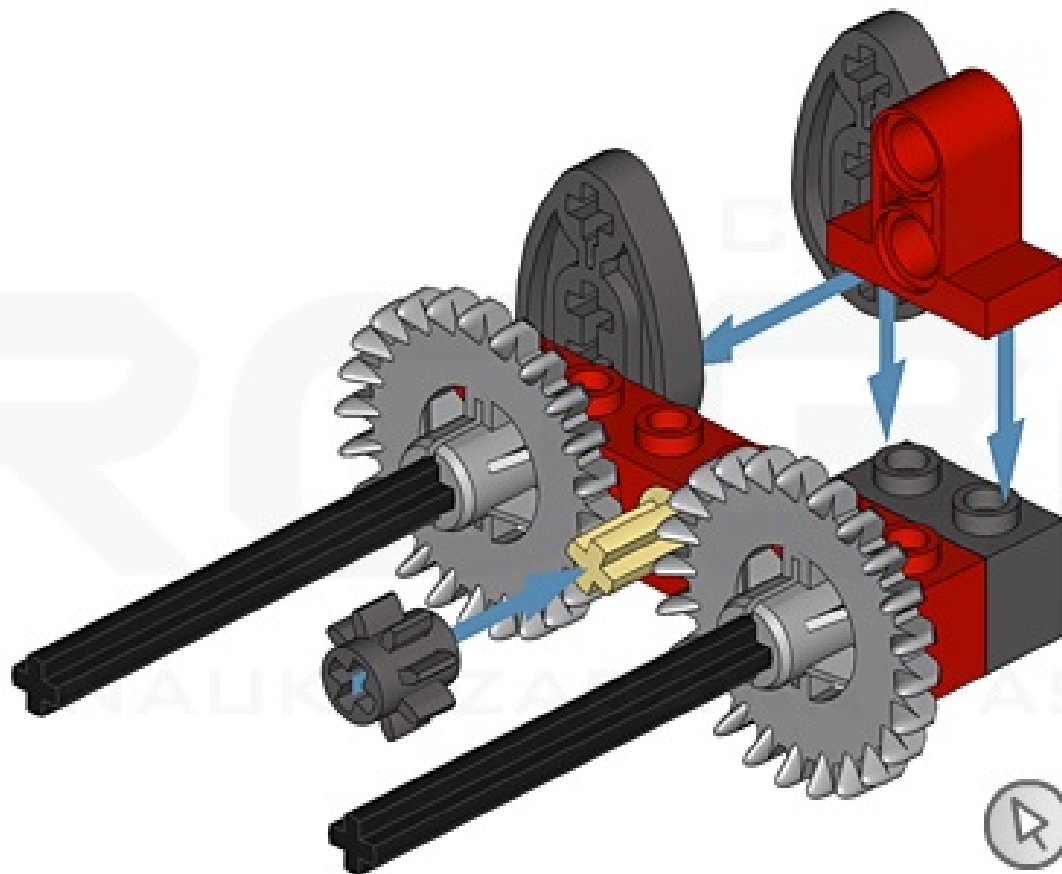
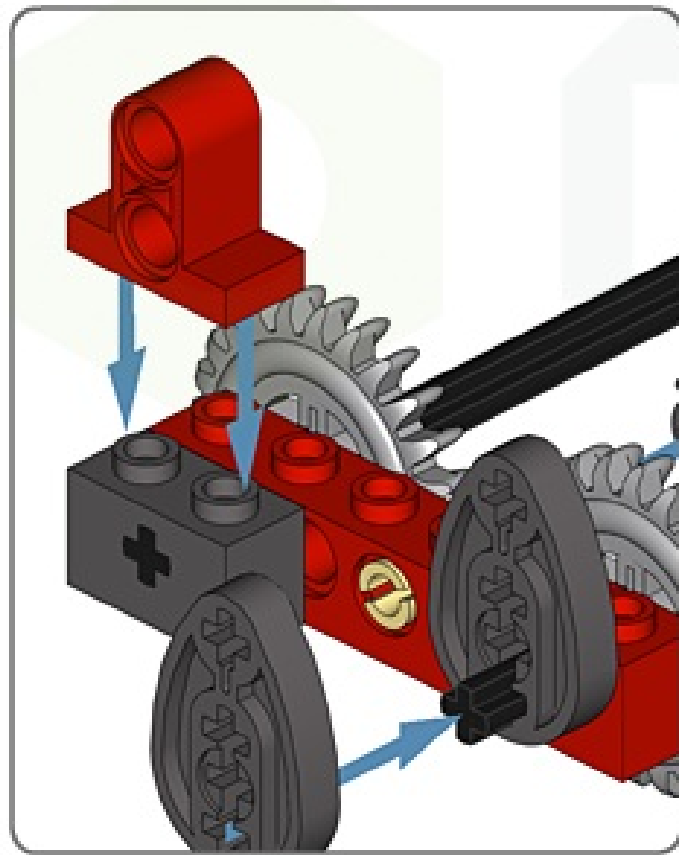
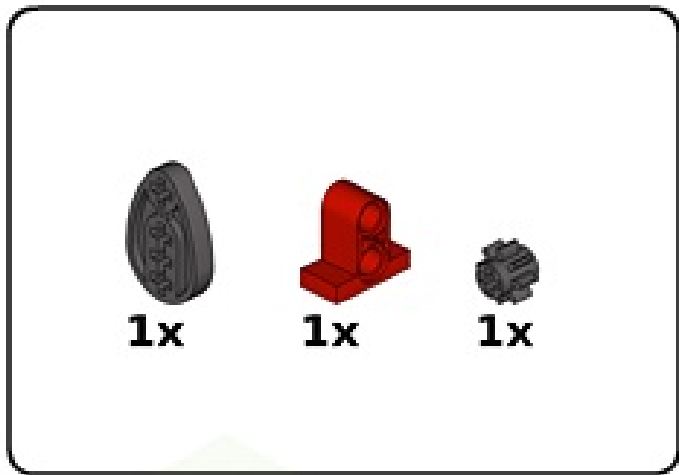


2x 1x 1x

A rectangular box containing three items: a grey gear, a dark grey oval-shaped piece, and a dark grey 1x2 Technic brick with two holes. Below each item is a quantity label: '2x' for the gear, '1x' for the oval piece, and '1x' for the brick.



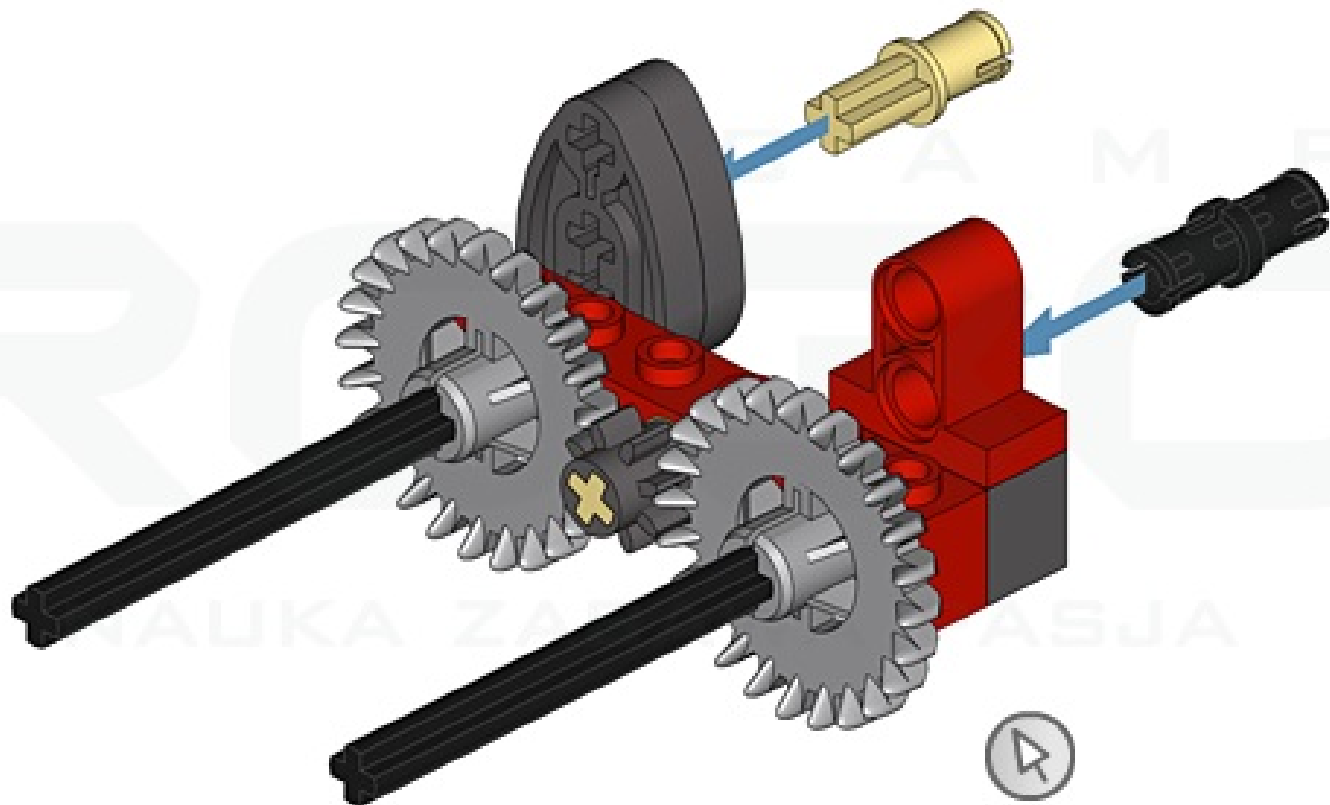
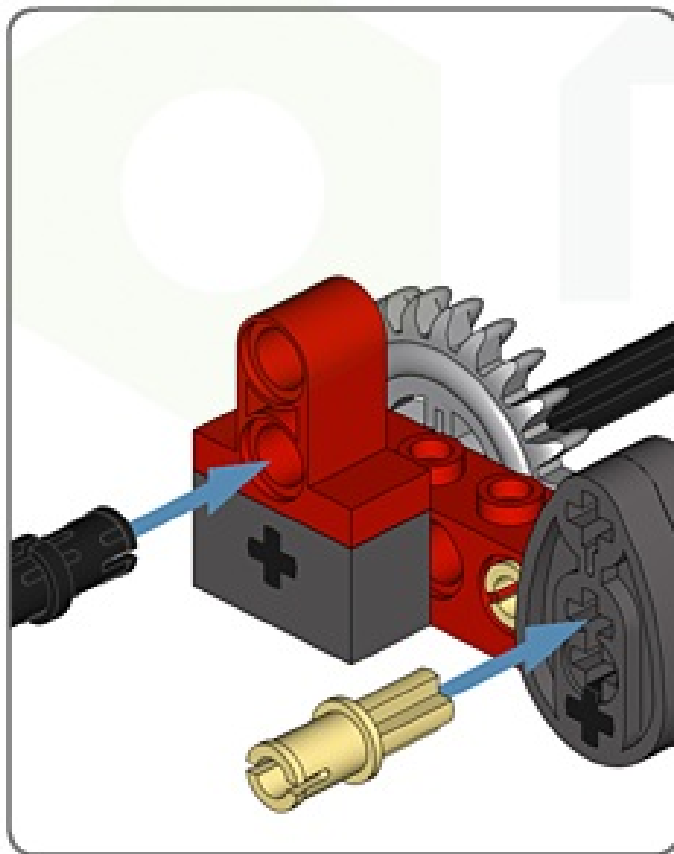


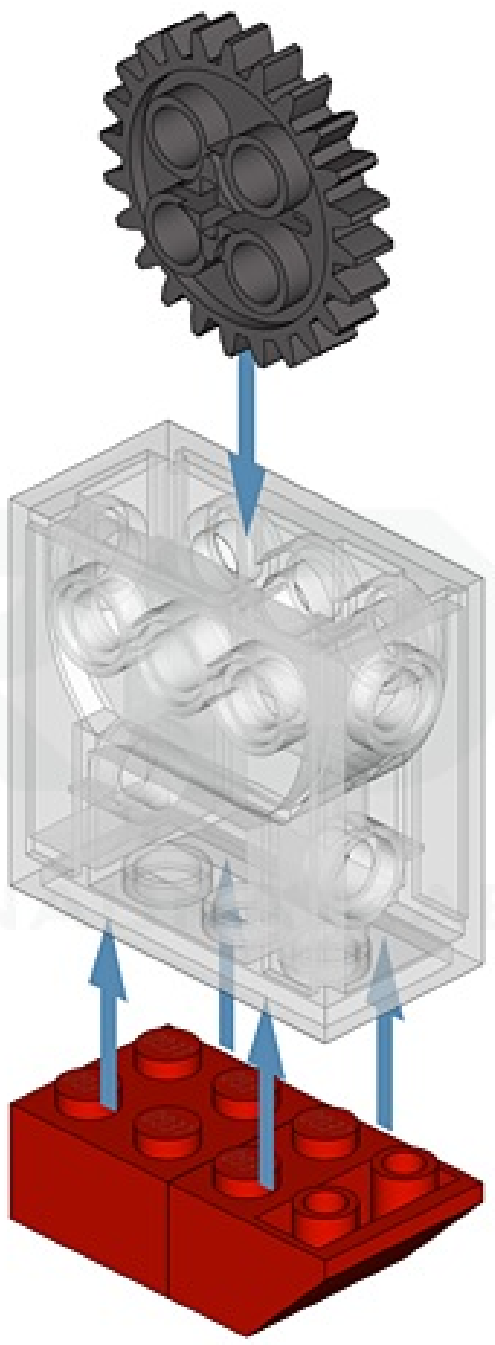
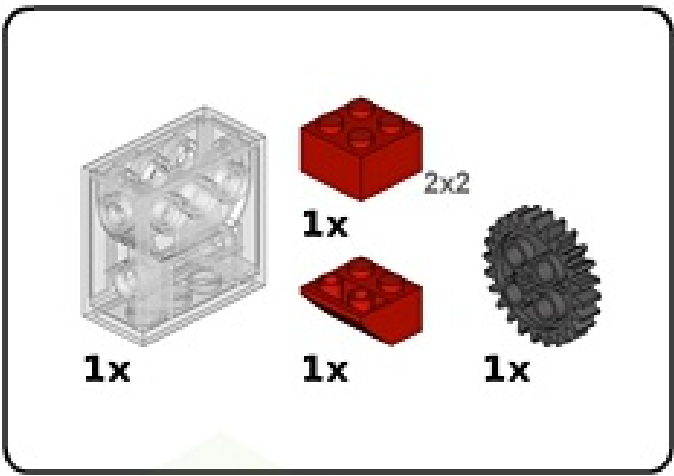


1x

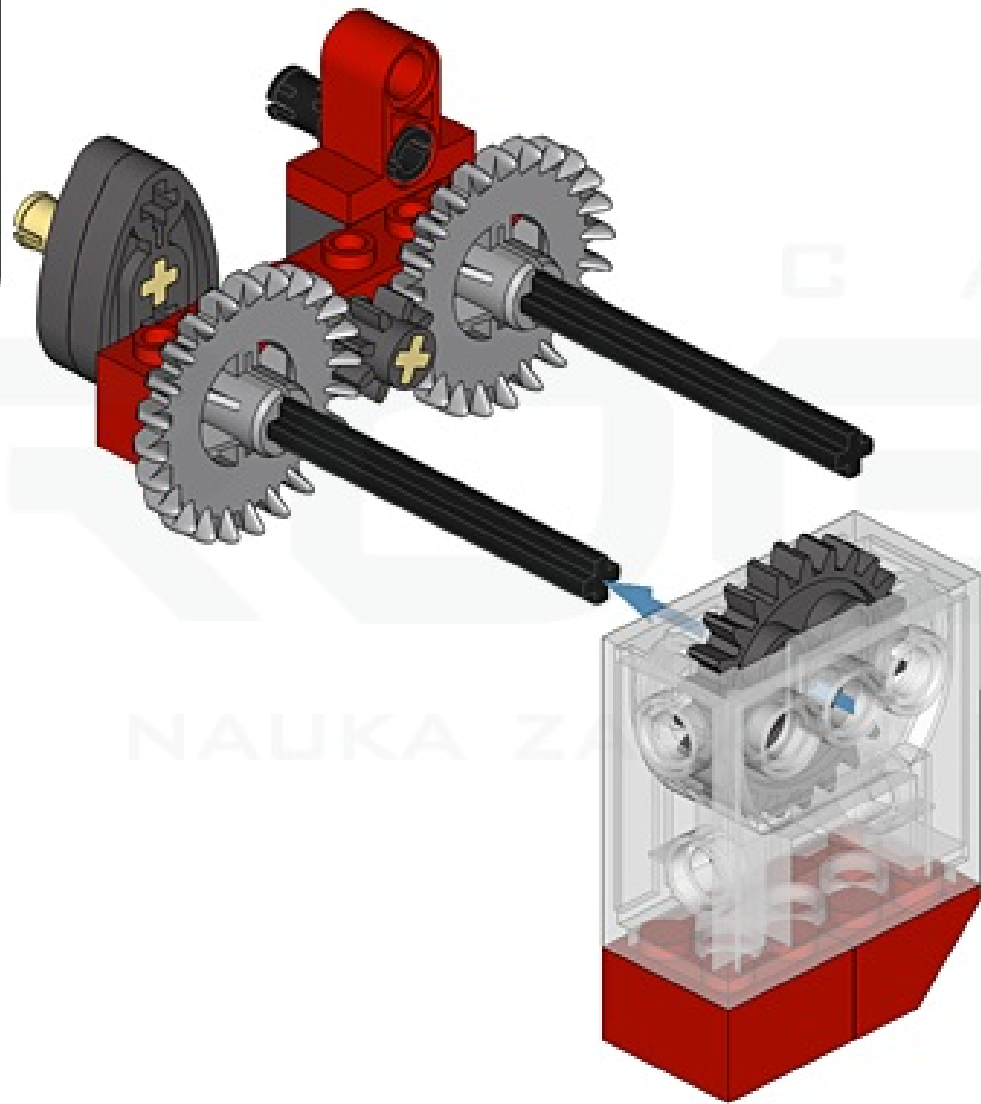
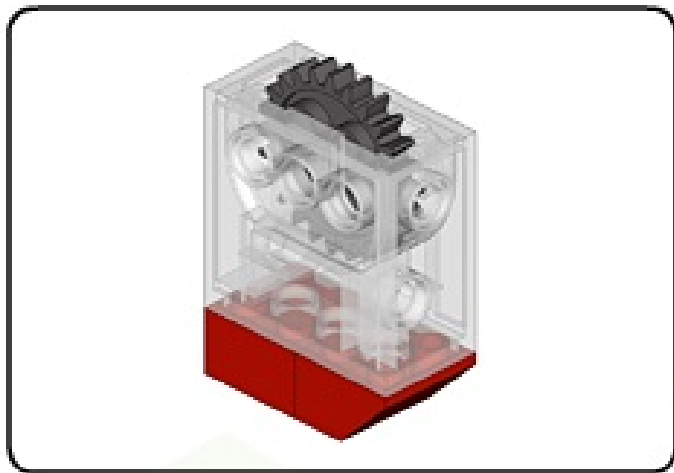


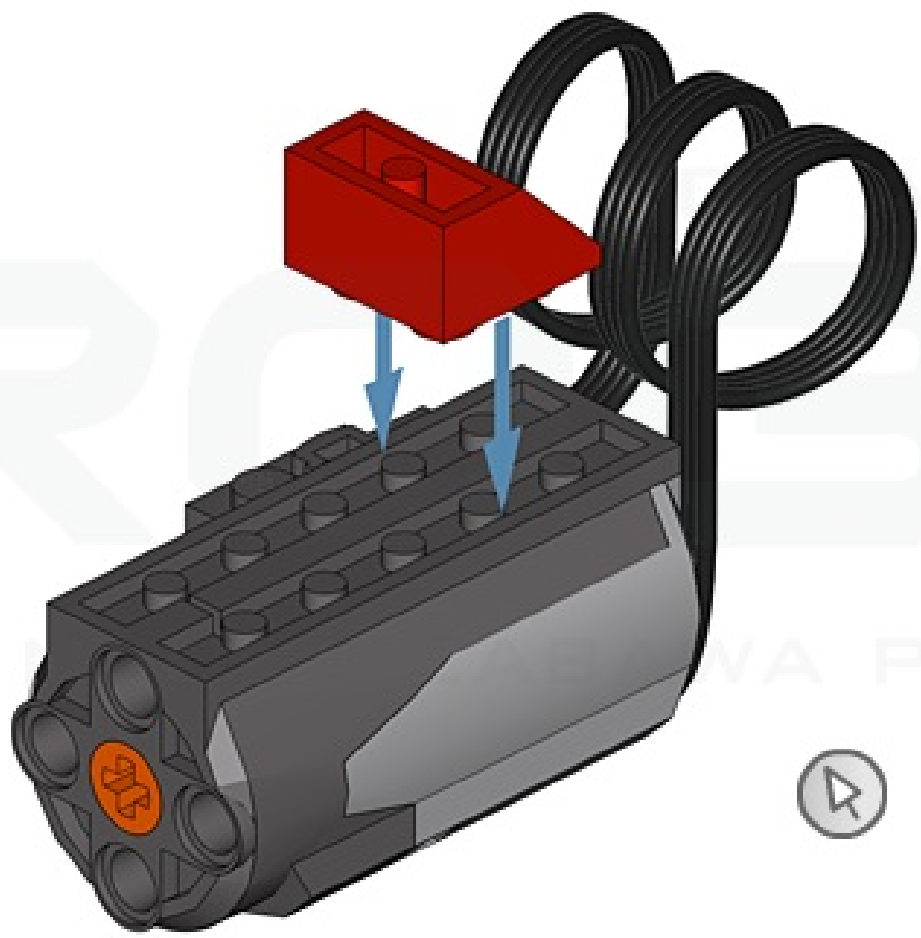
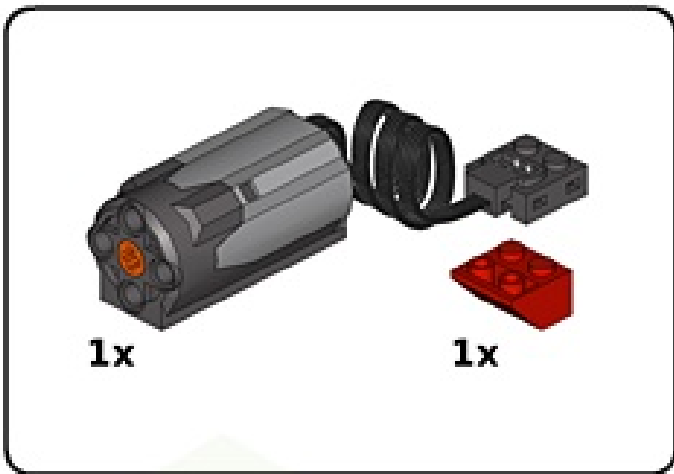
1x





BO  
CAMP  
BAWA PASJA

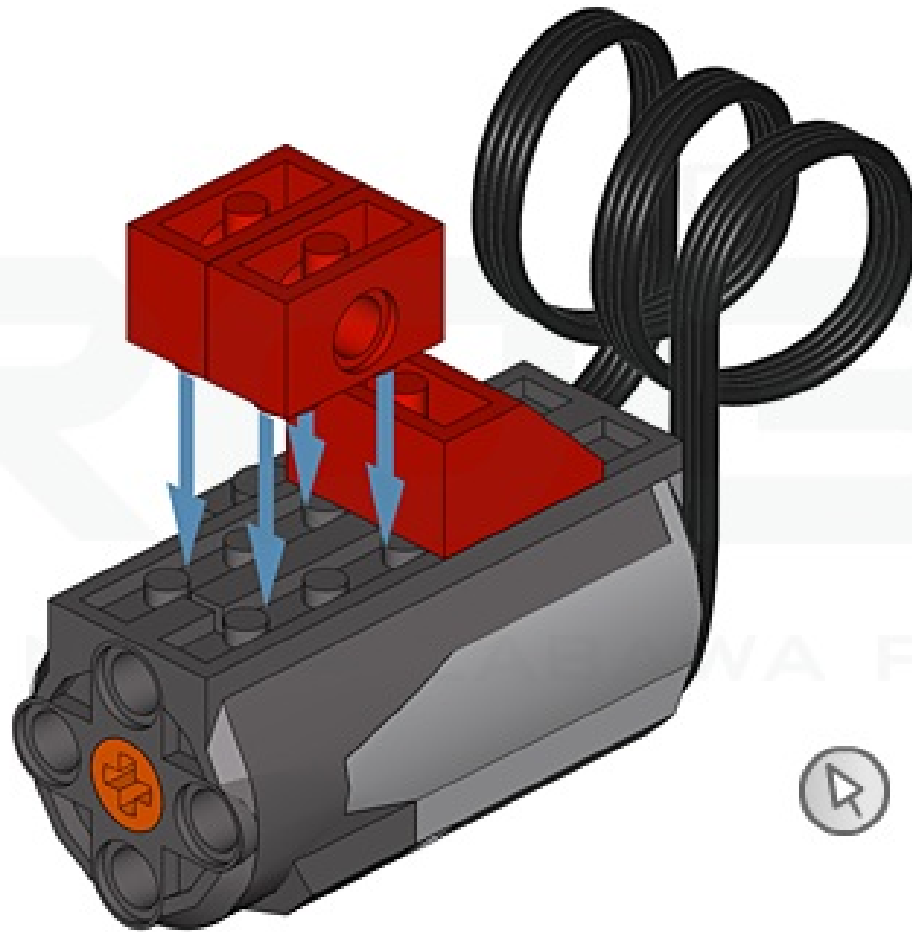






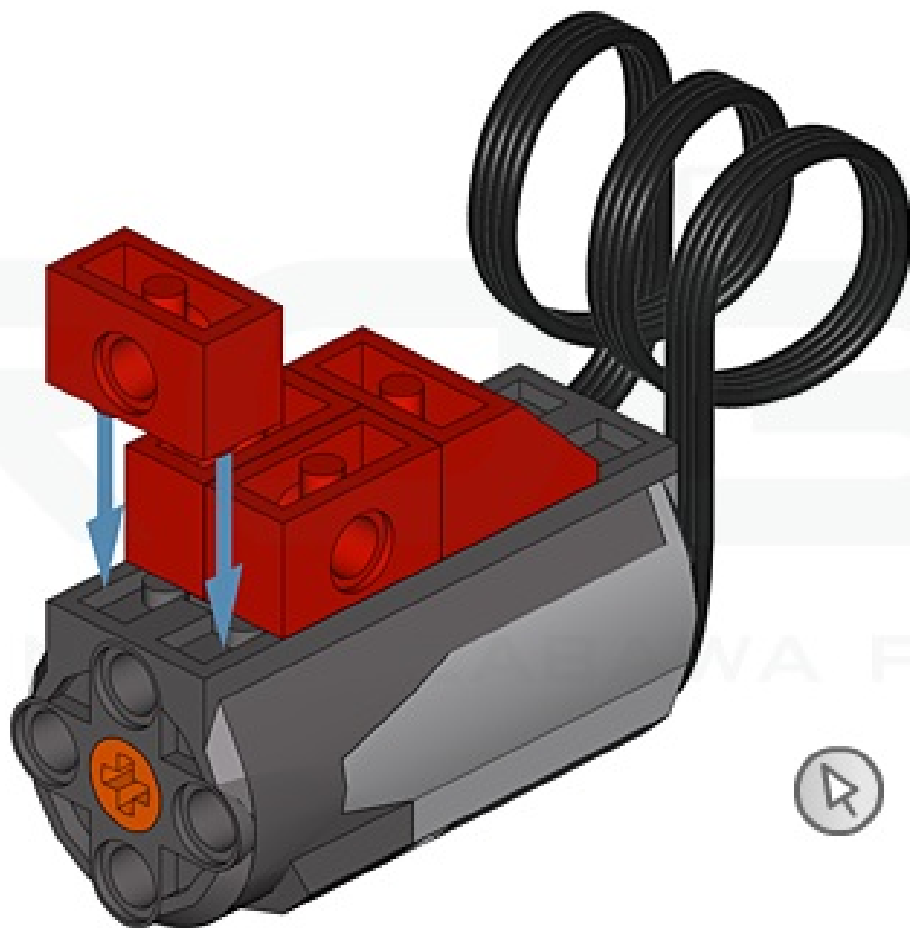


2x





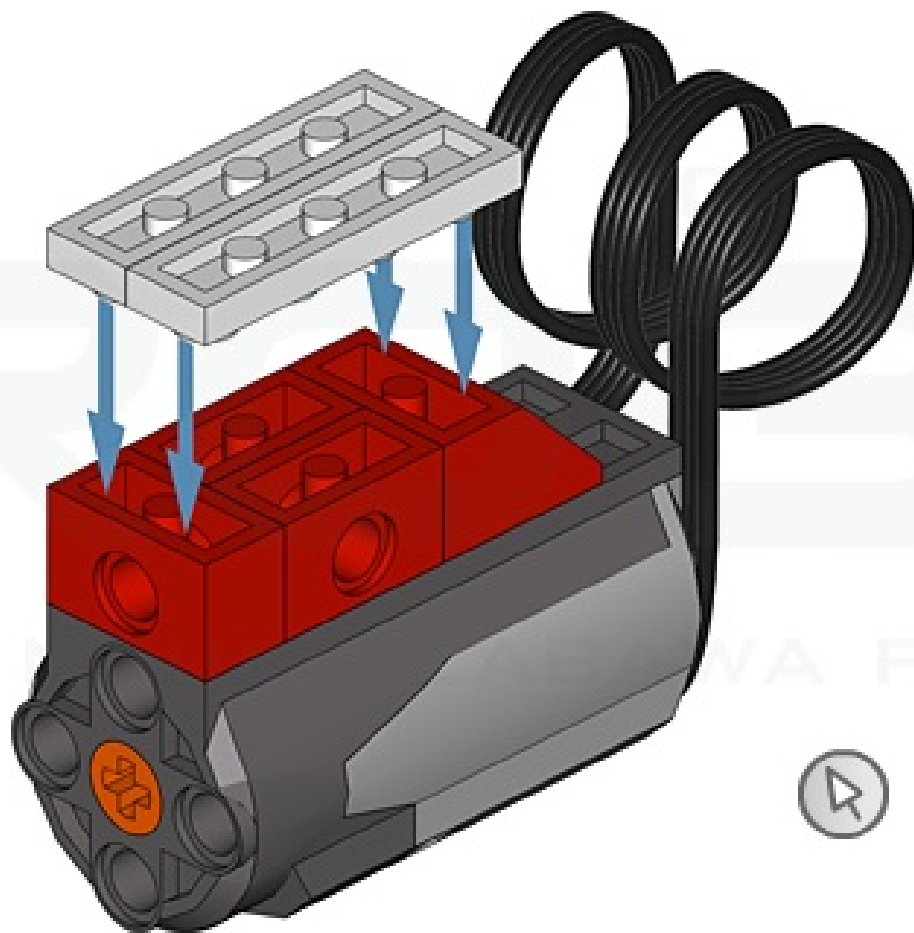
1x



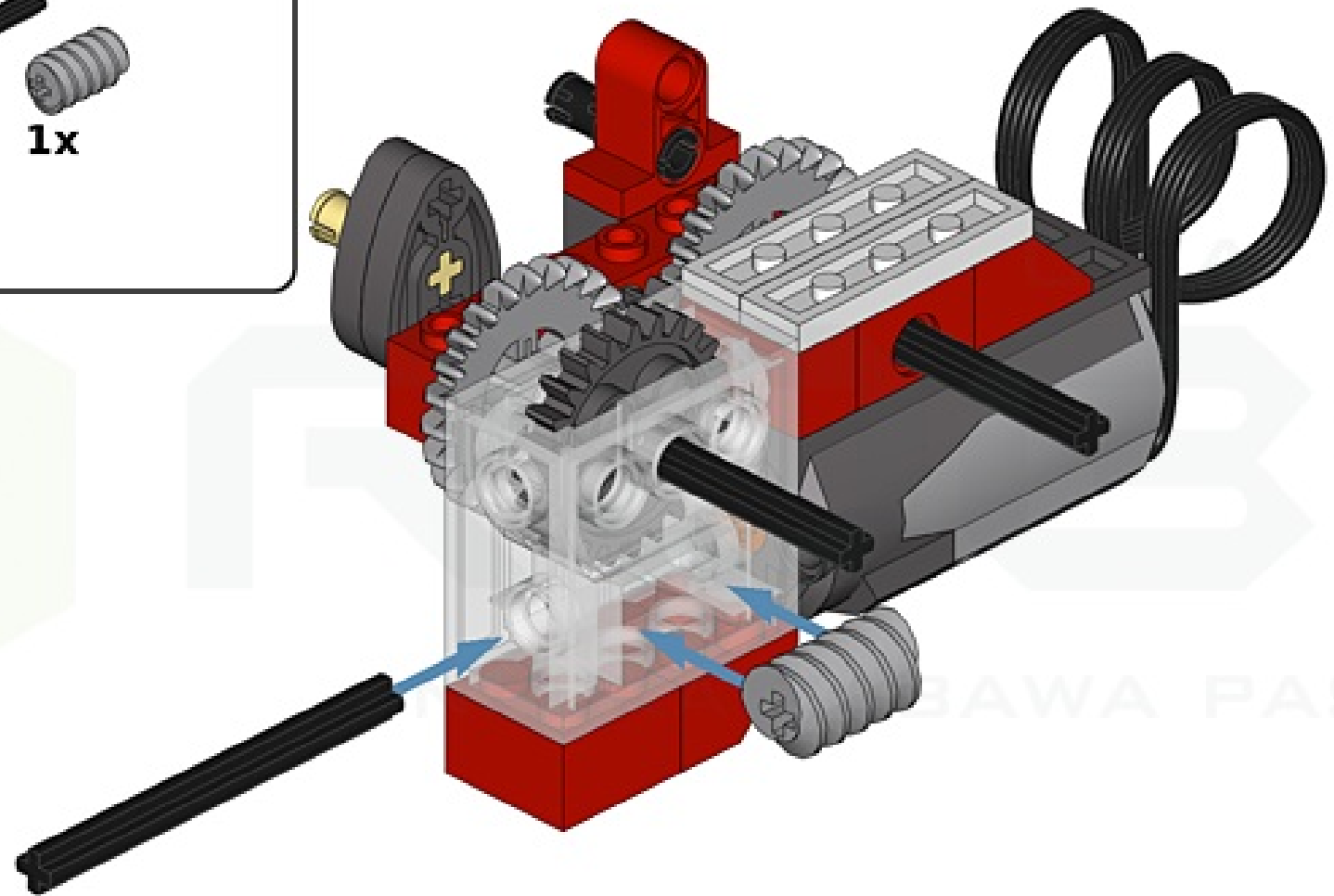
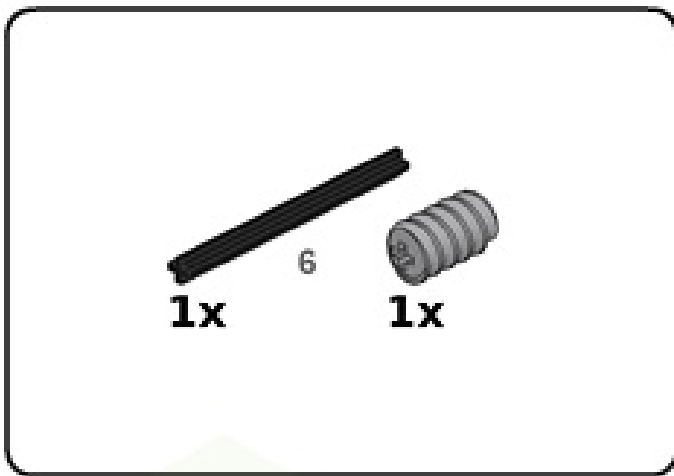


1x4

2x

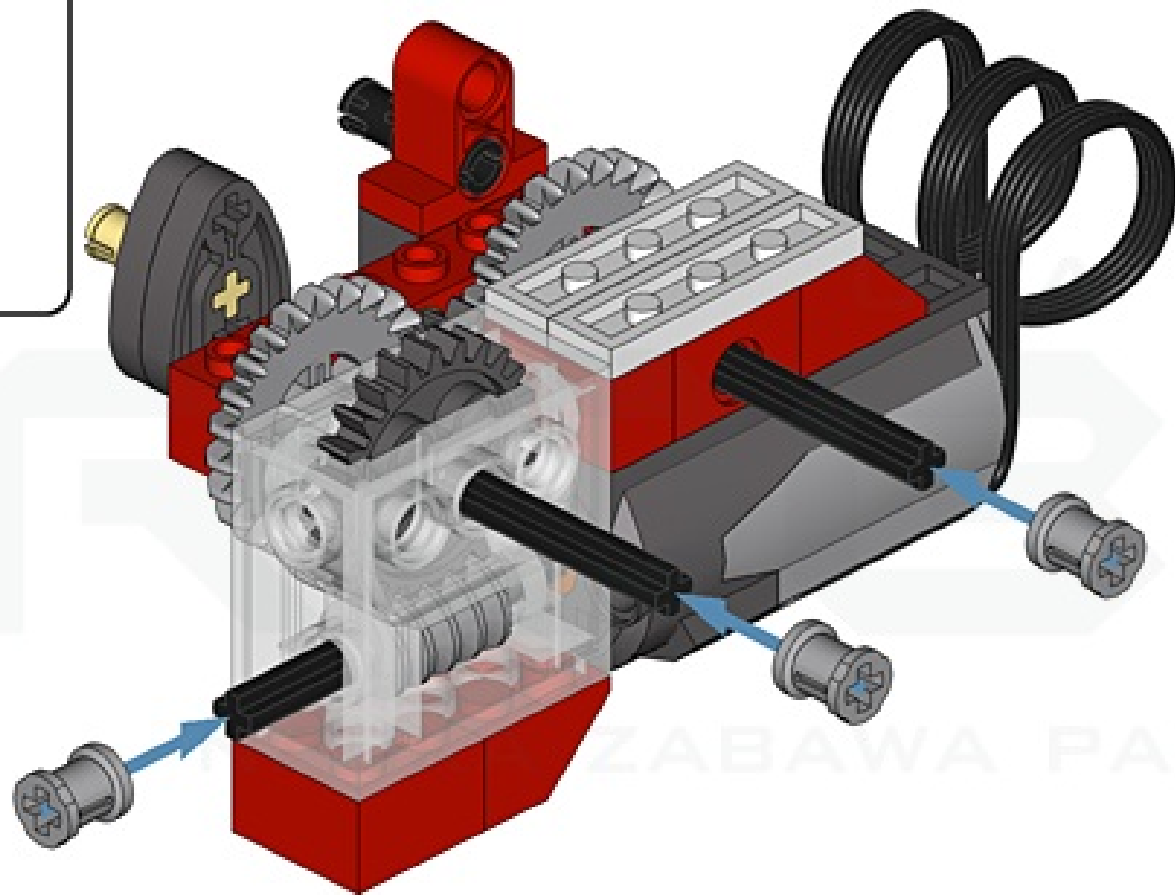








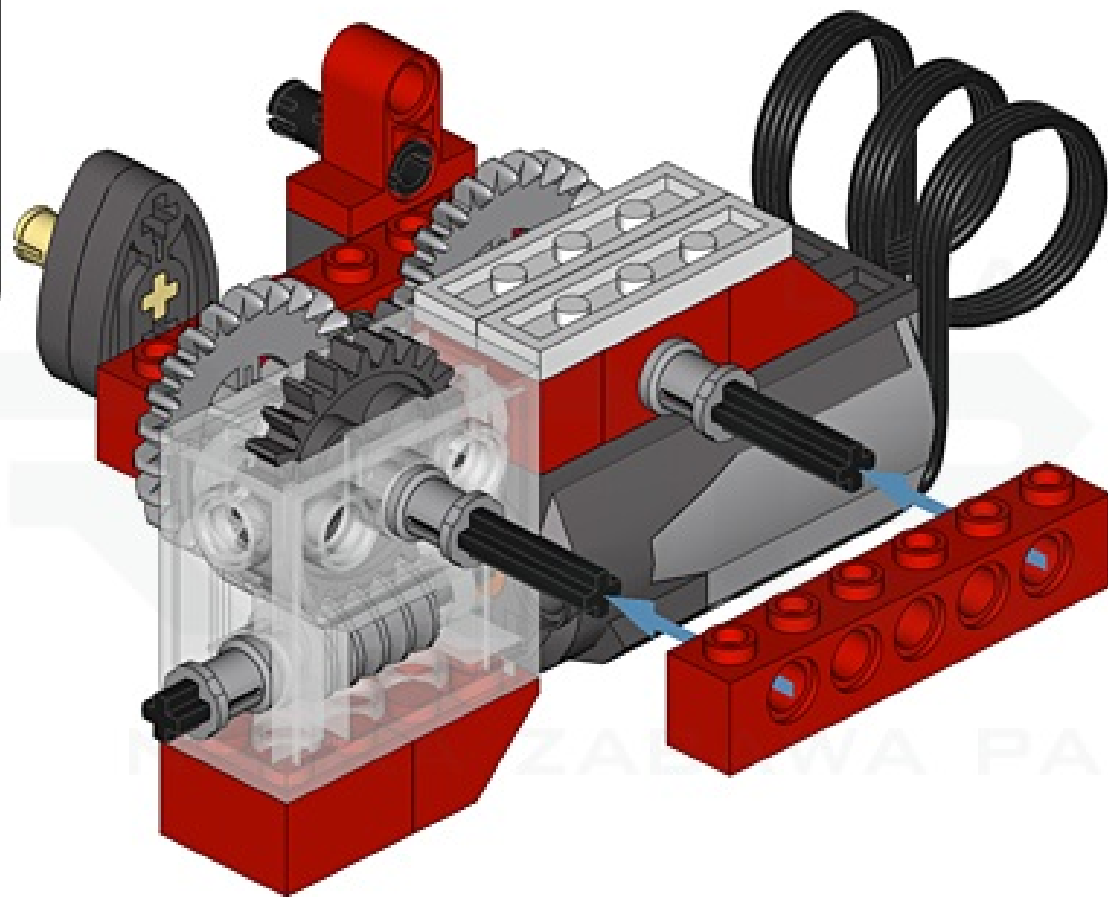
3x





1x6

1x

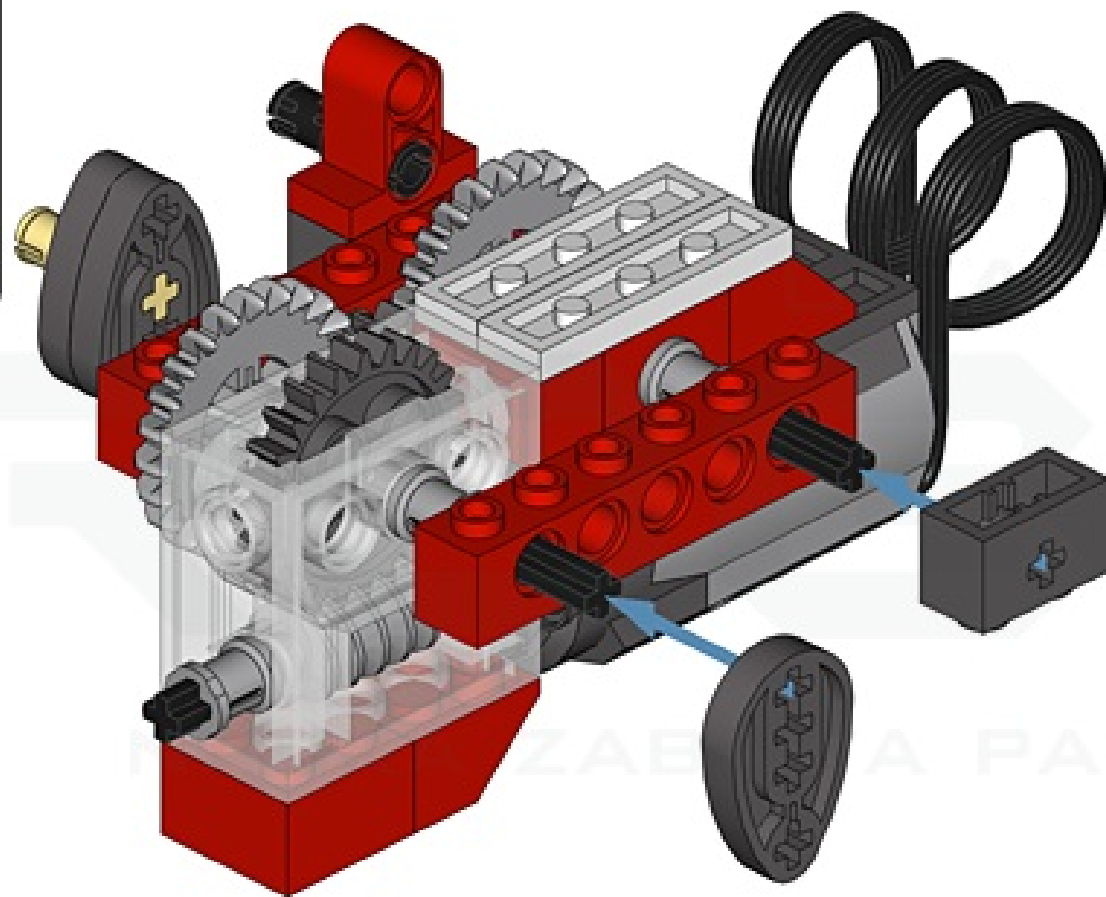




1x



1x





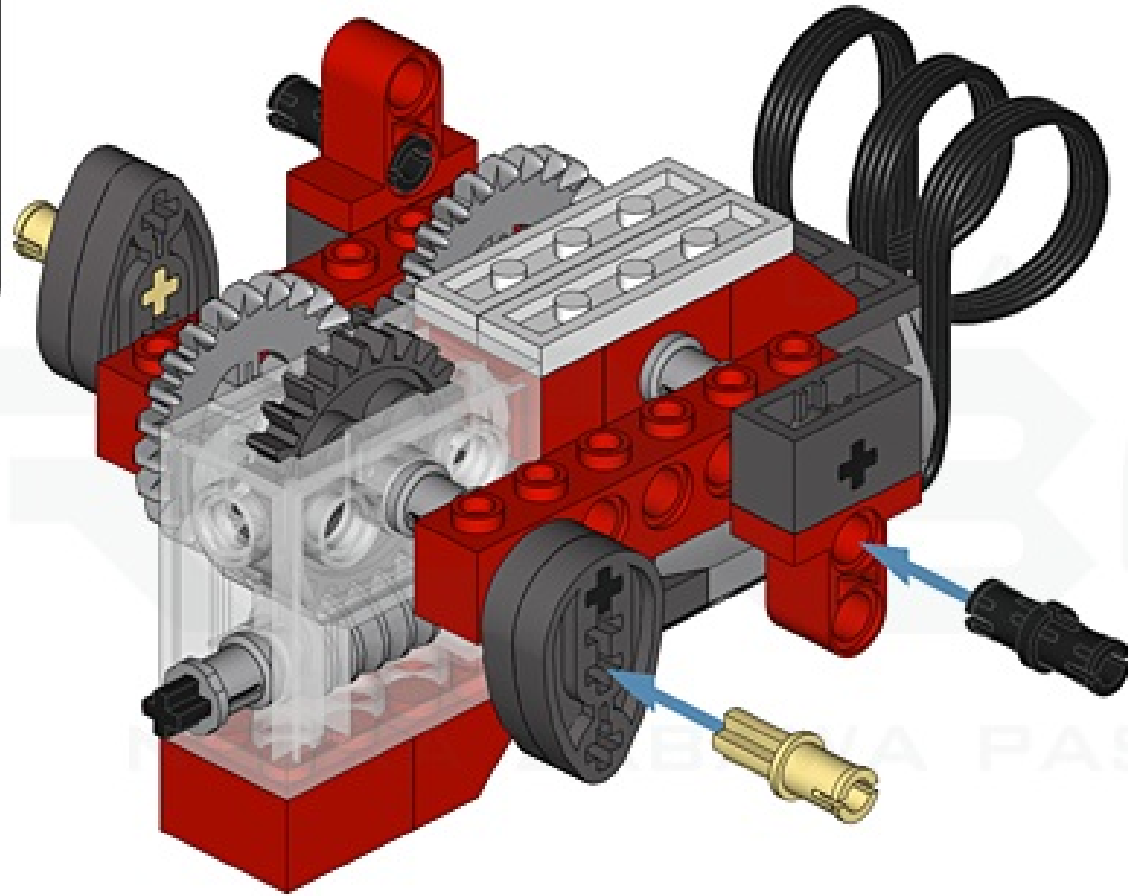


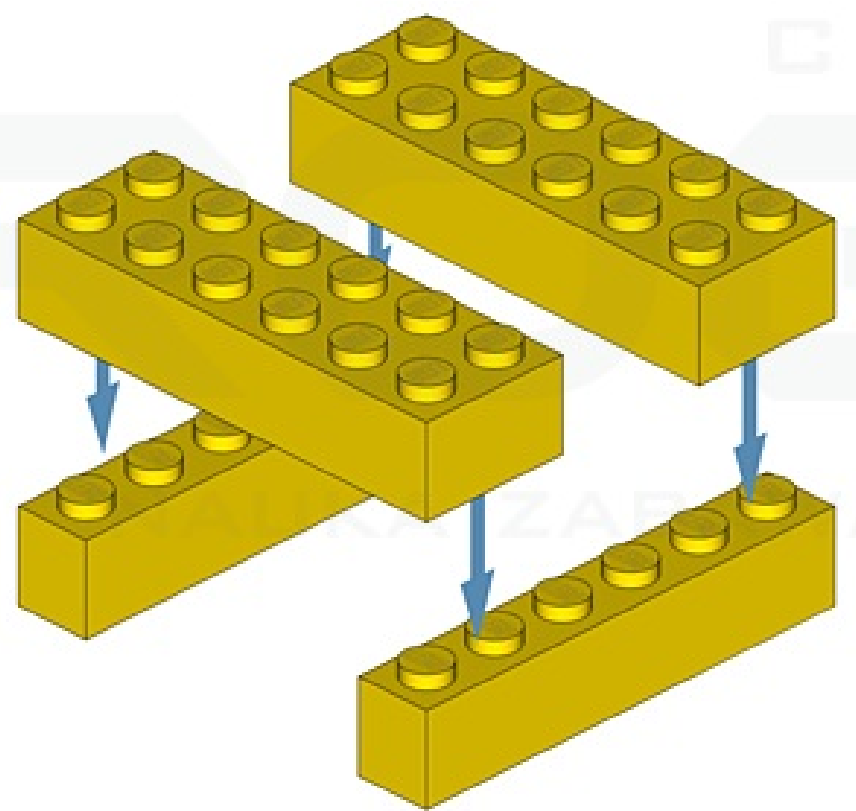
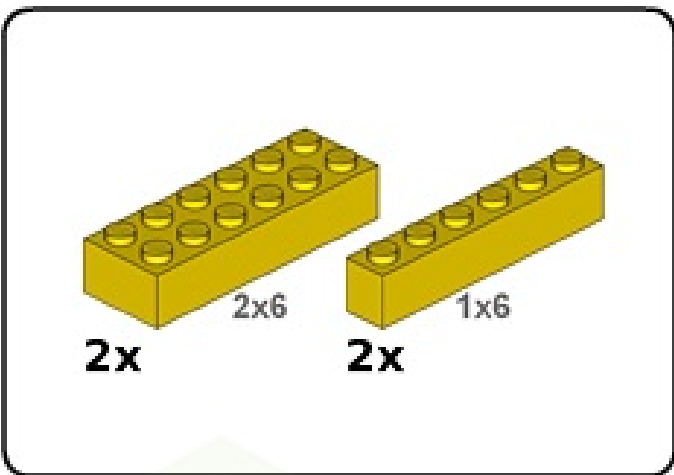


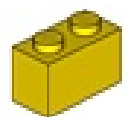
1x



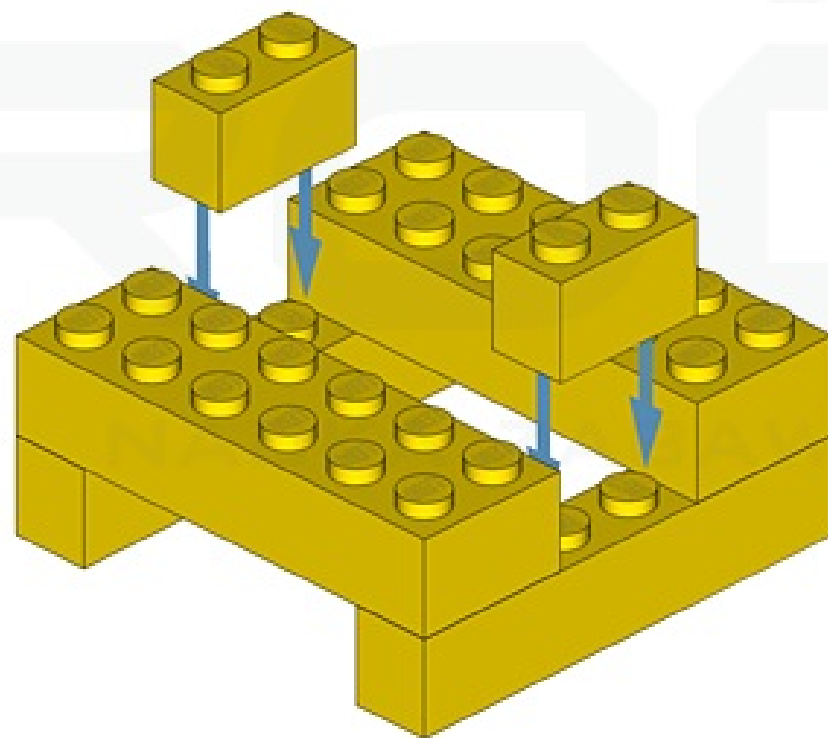
1x

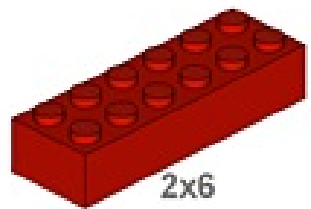






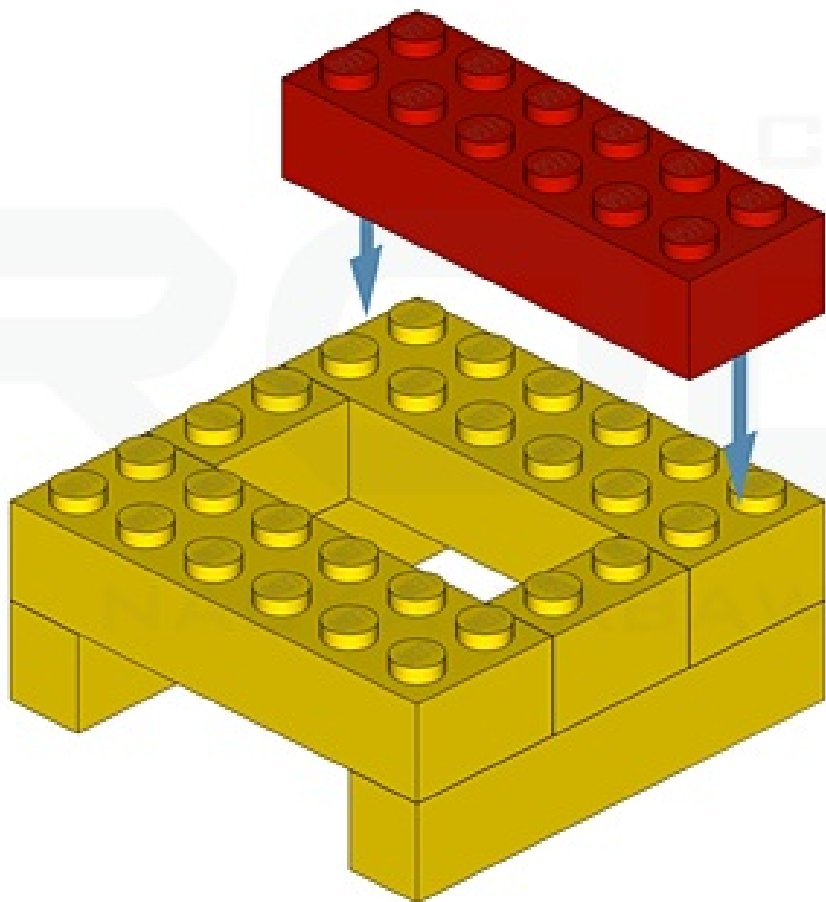
2x





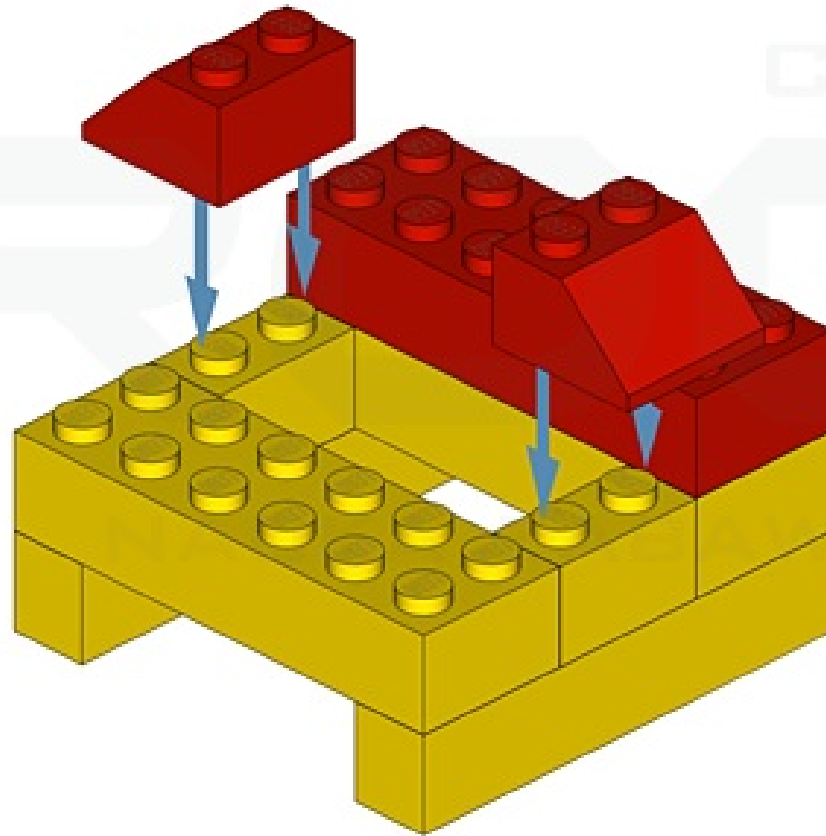
2x6

1x



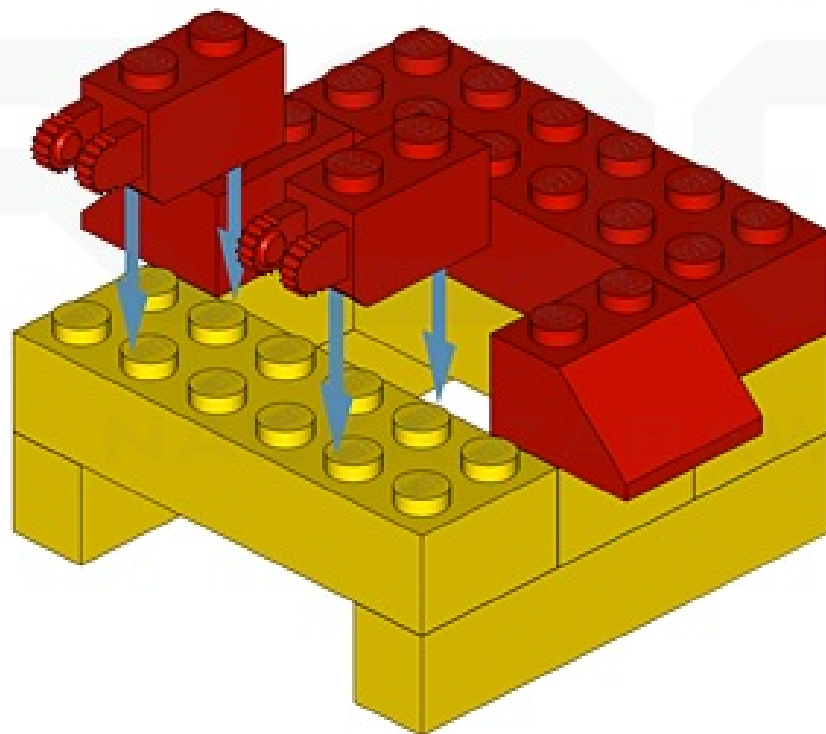


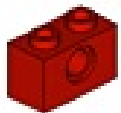
2x



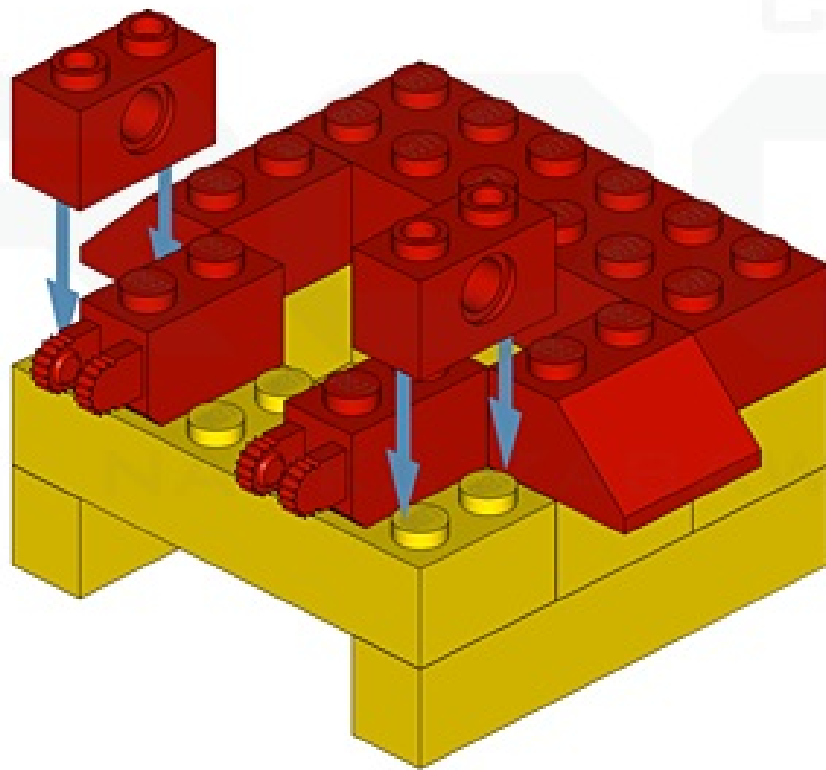


2x

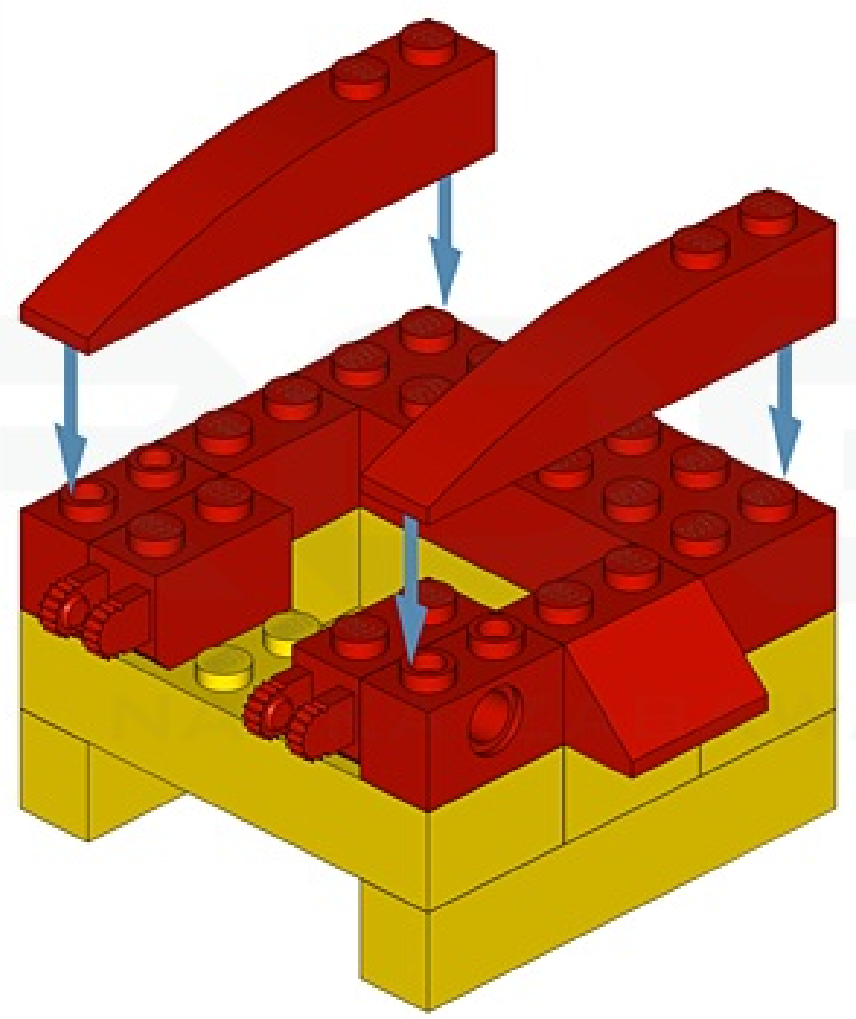
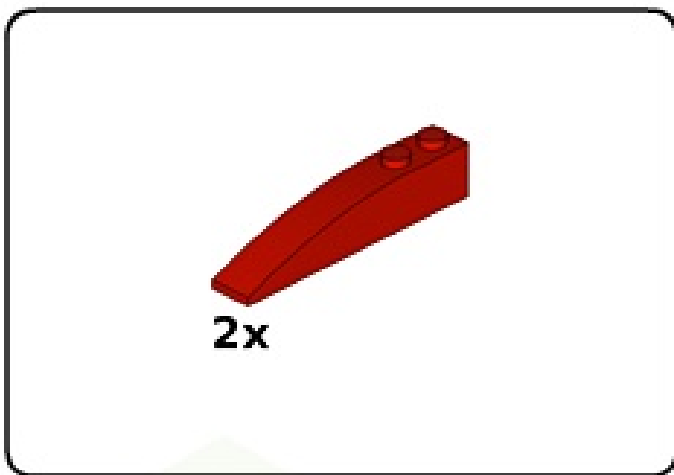




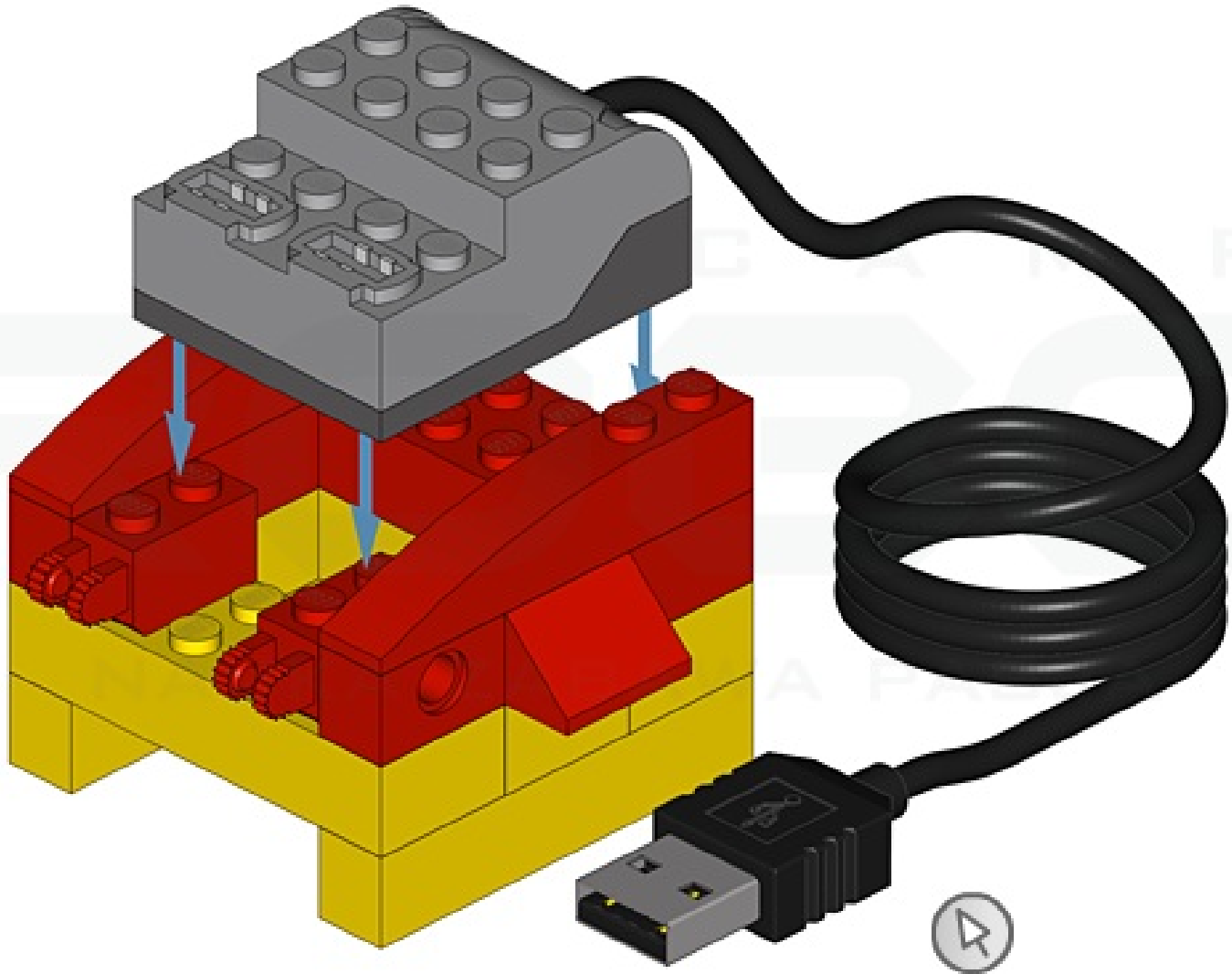
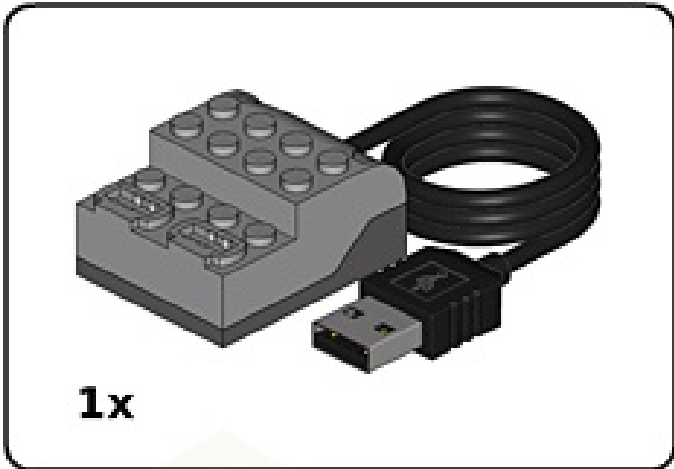
2x

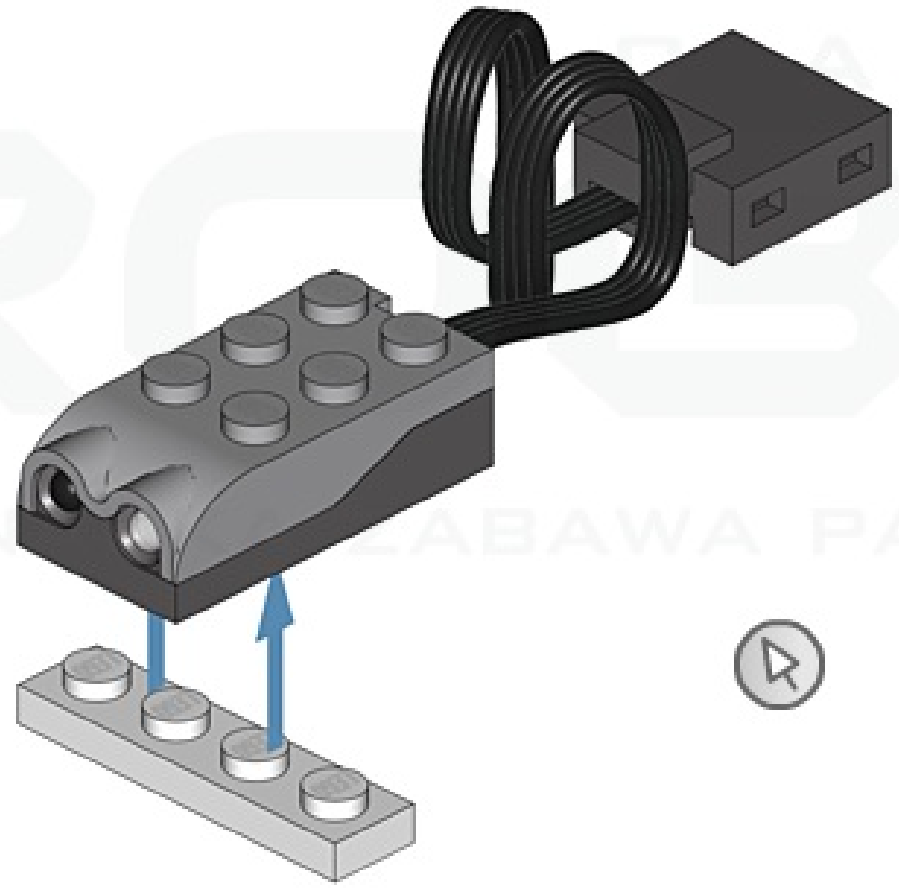
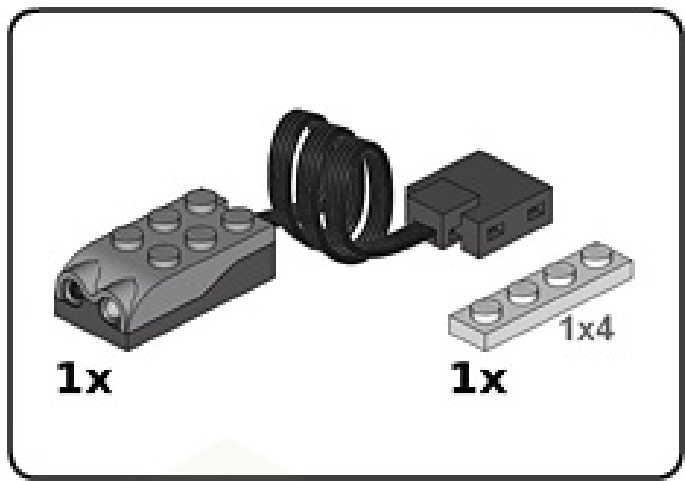






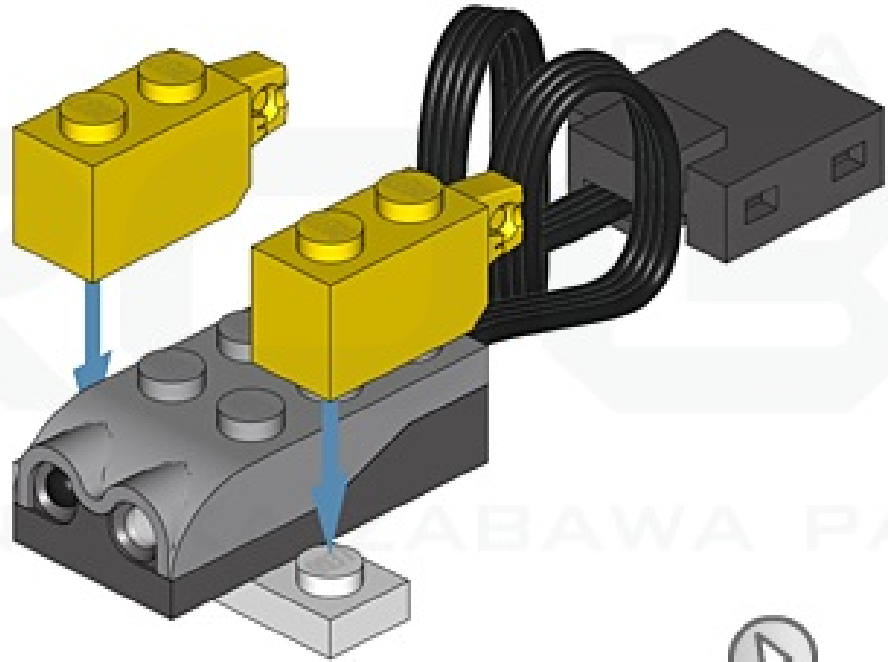
AM P  
BO  
A PASJA







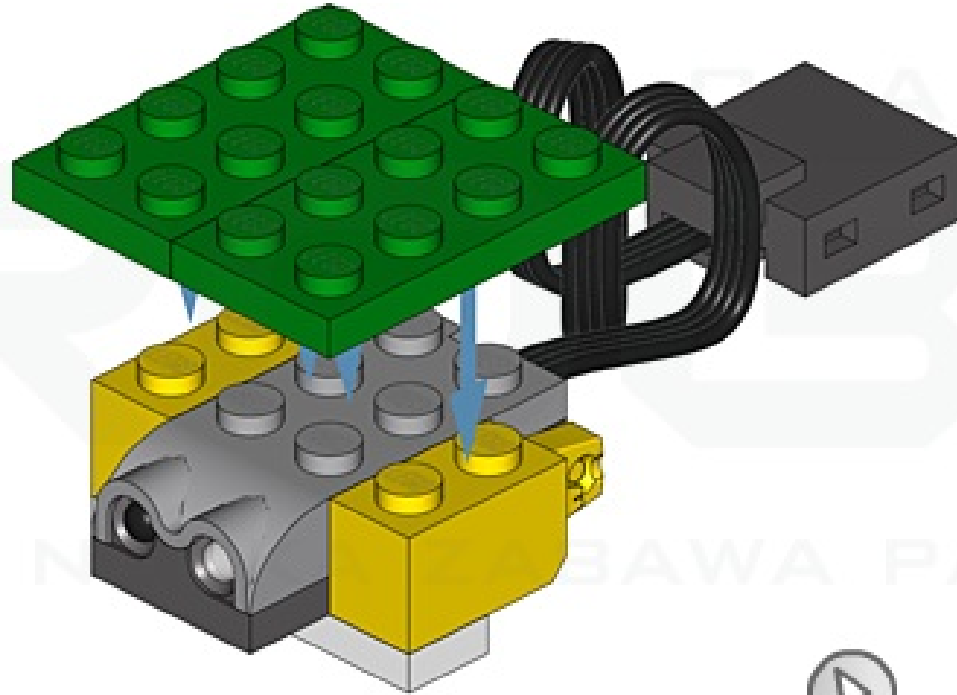
2x





2x

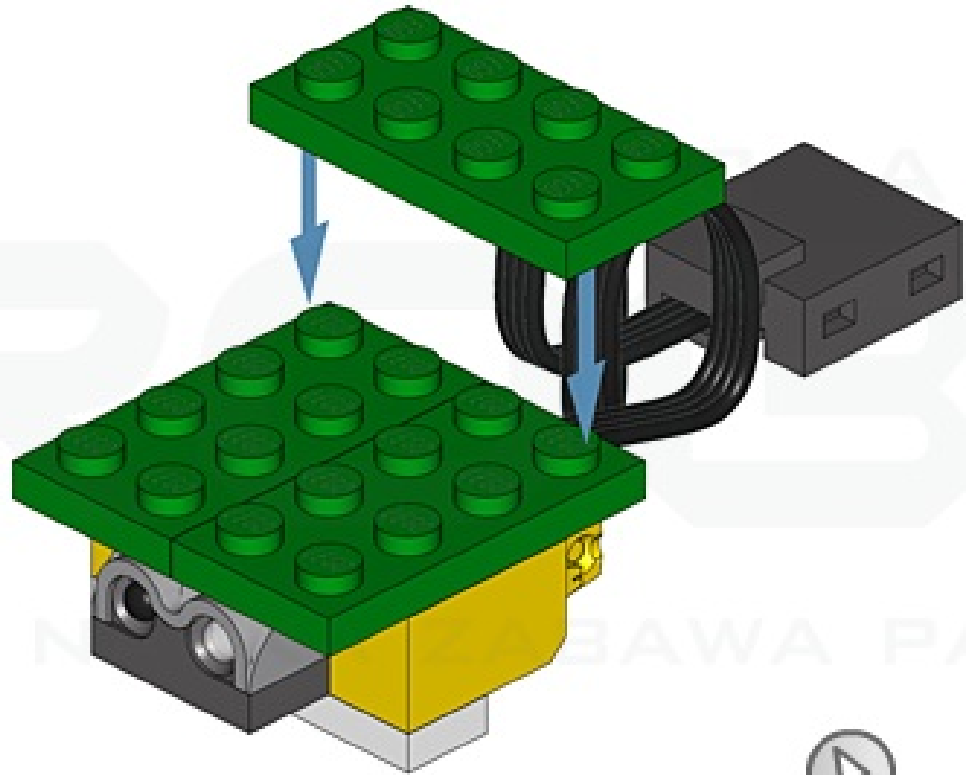
2x4

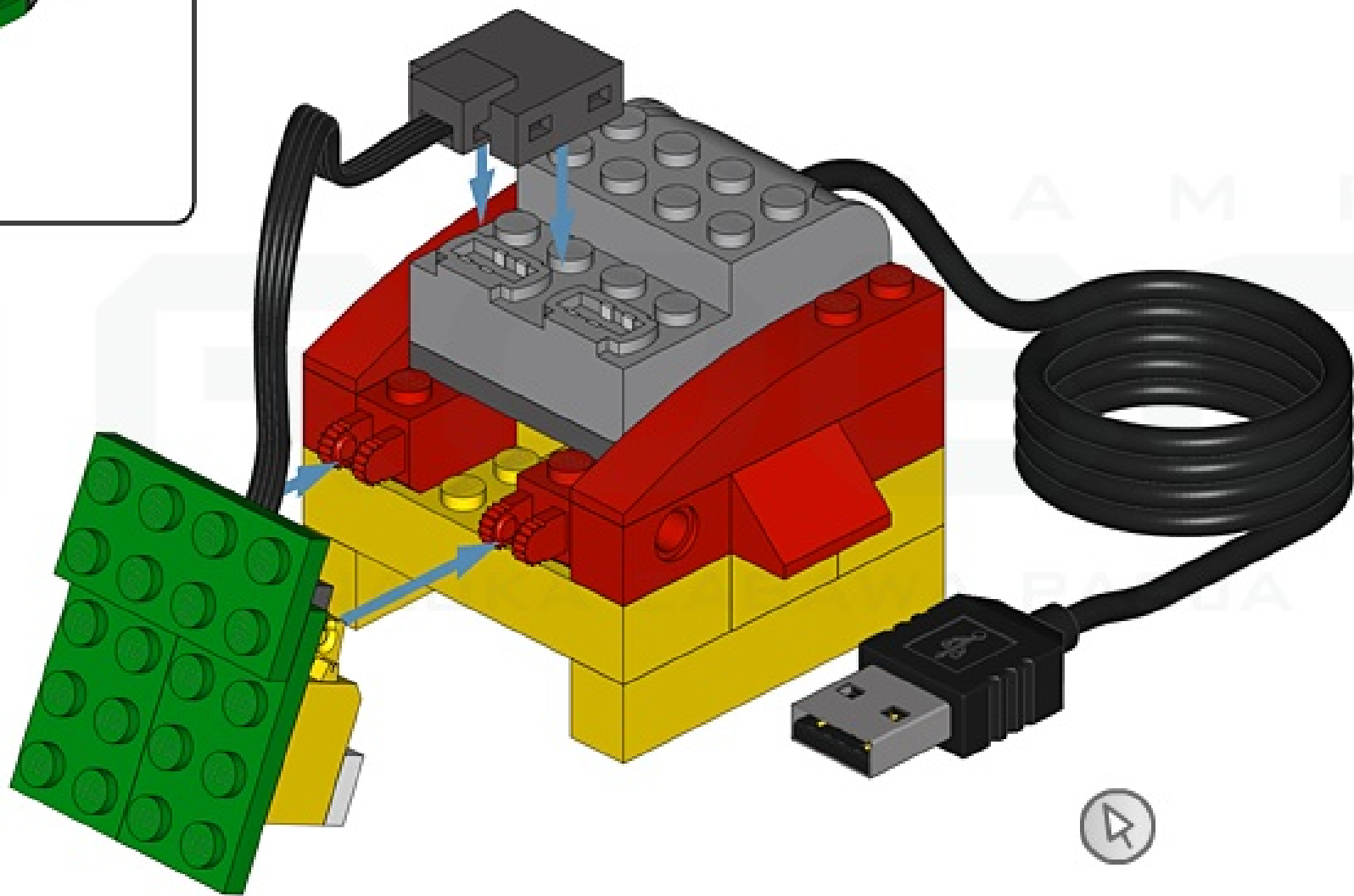
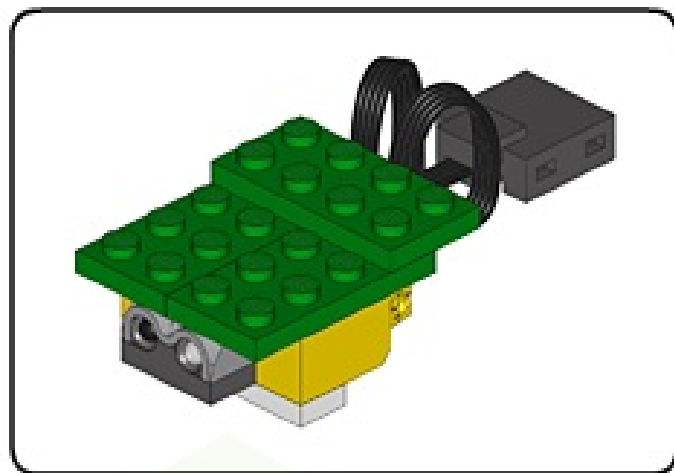


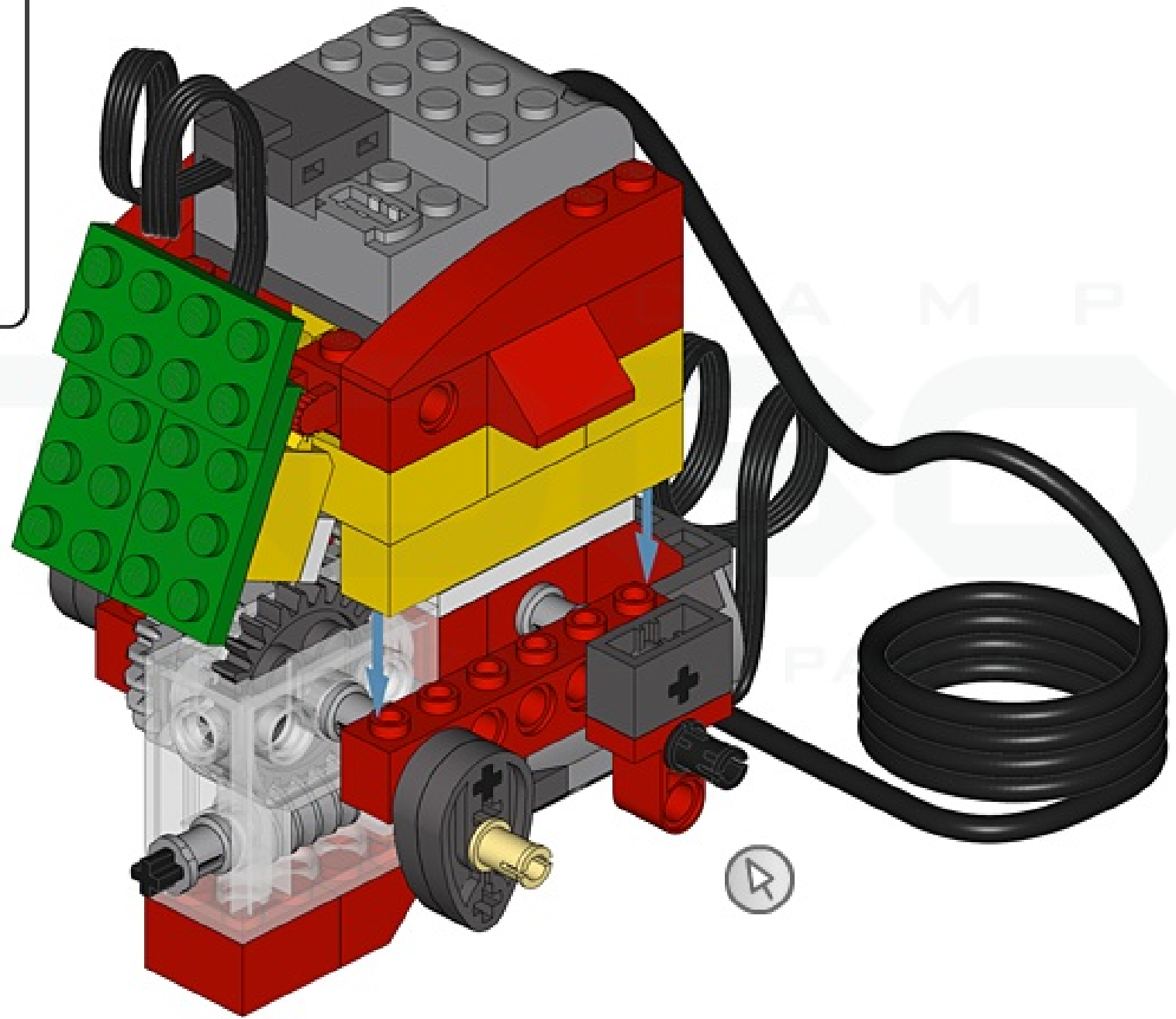
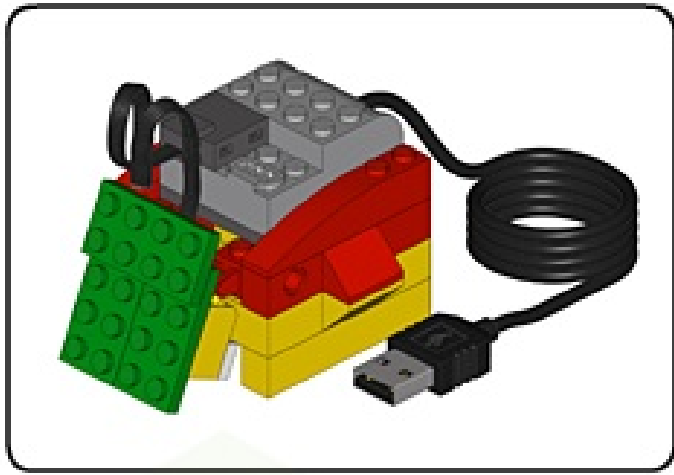


2x4

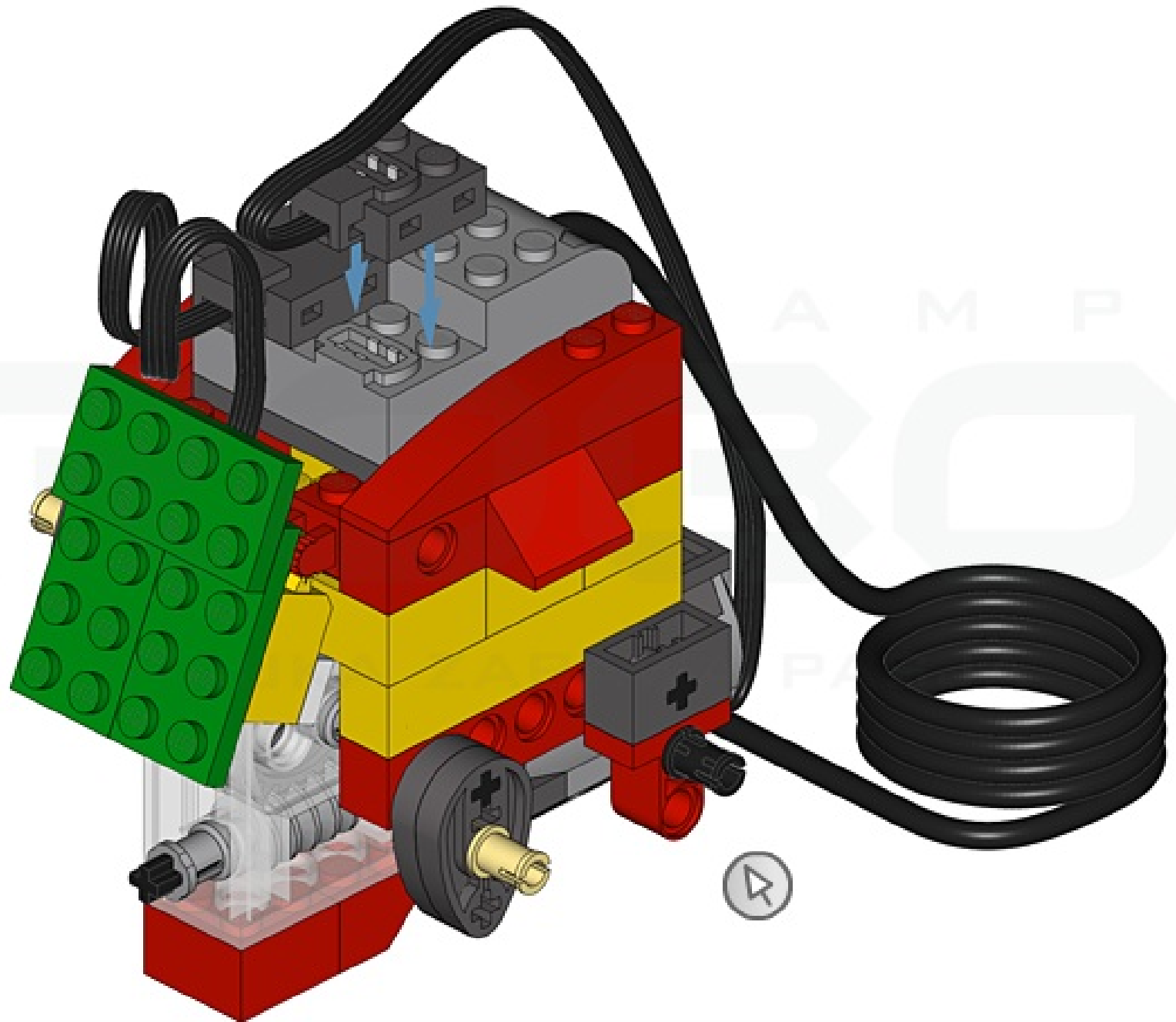
1x











A M P

PA





1x



1x

3

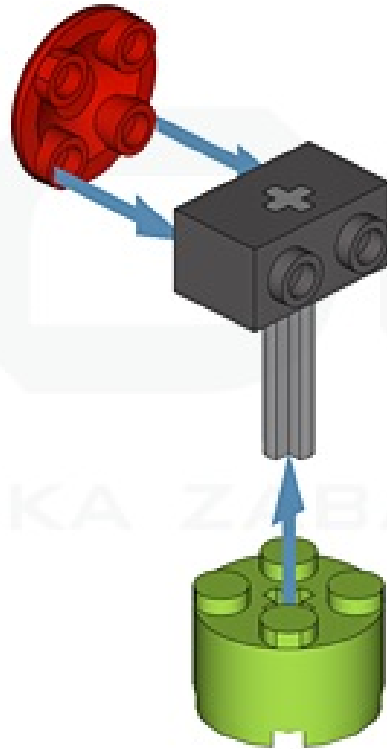


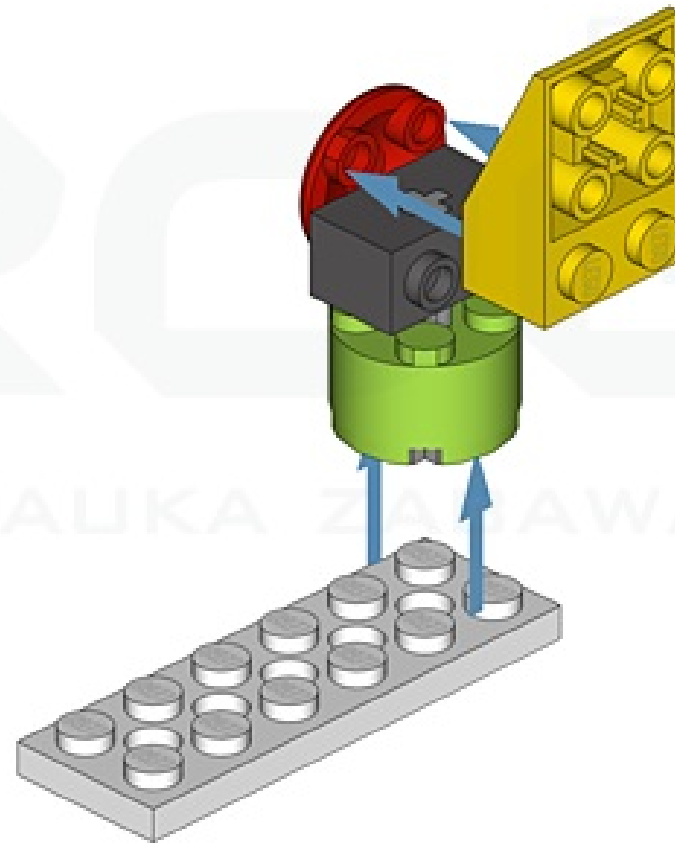
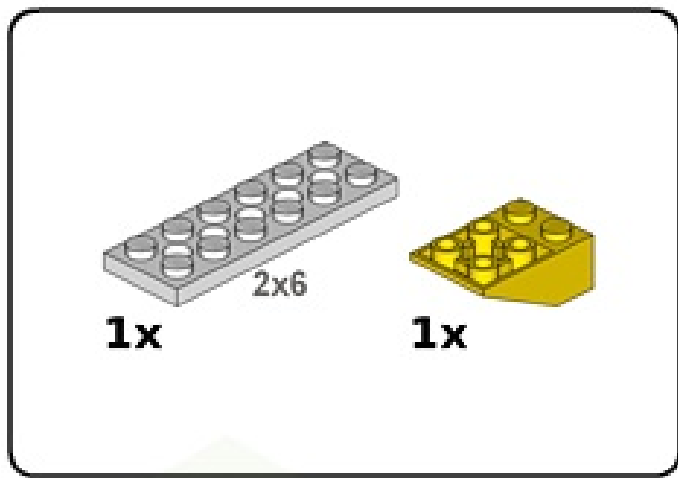


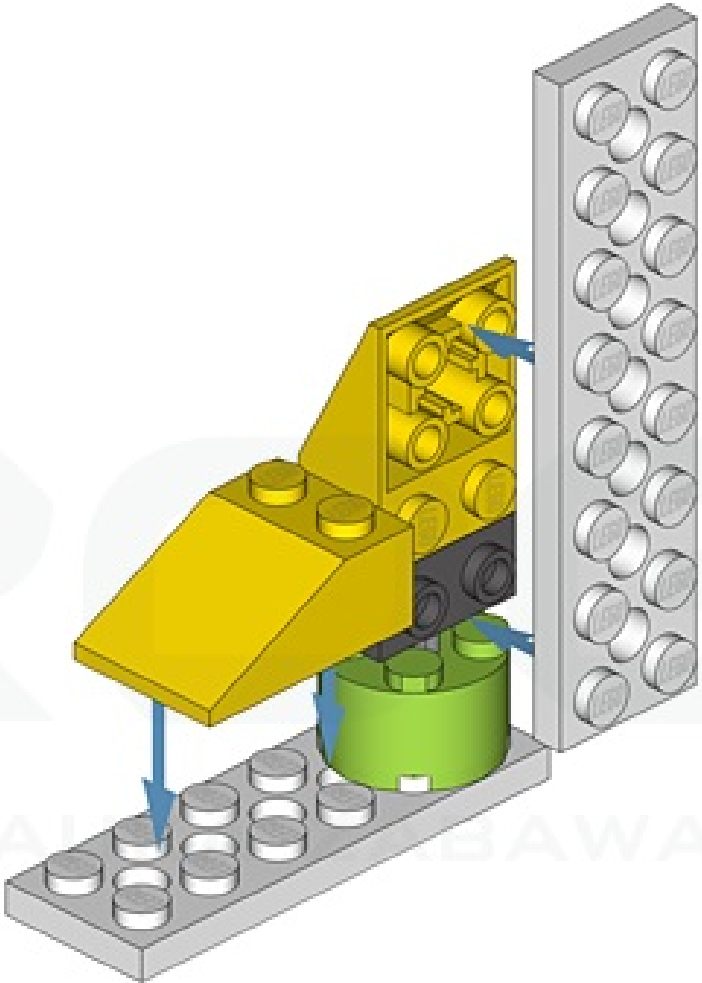
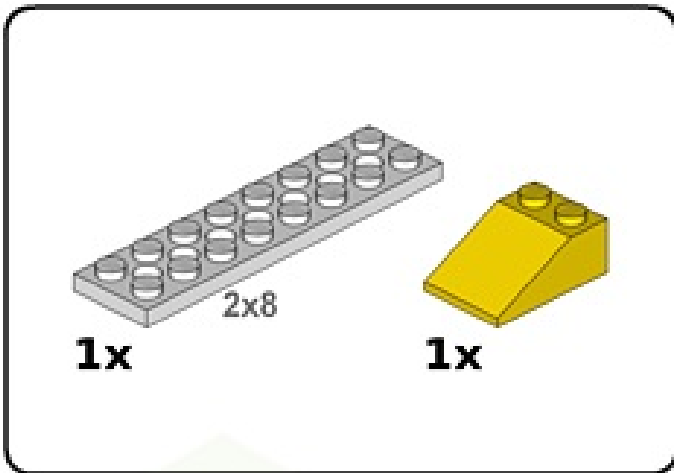
1x

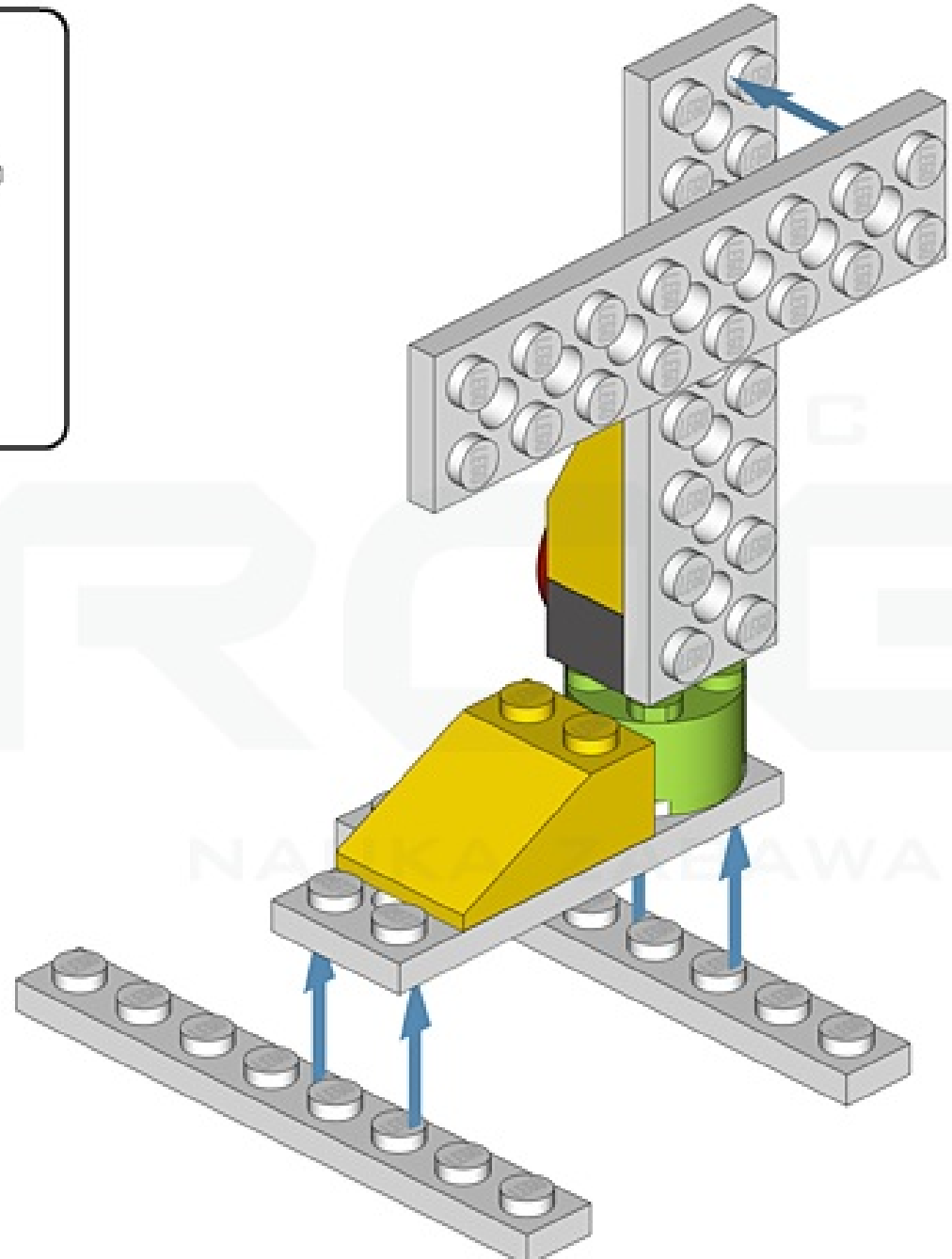
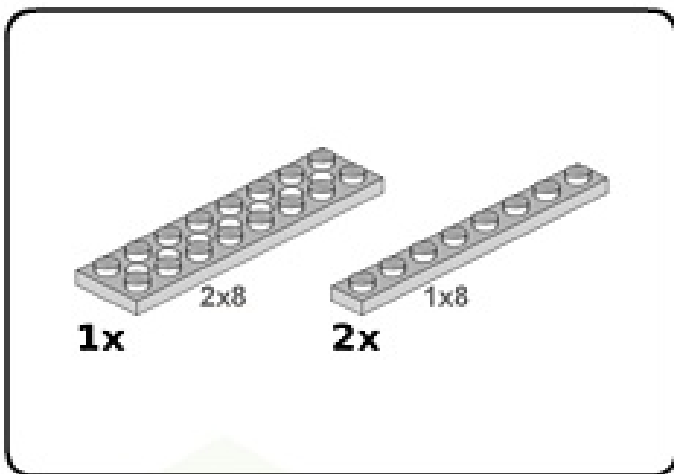


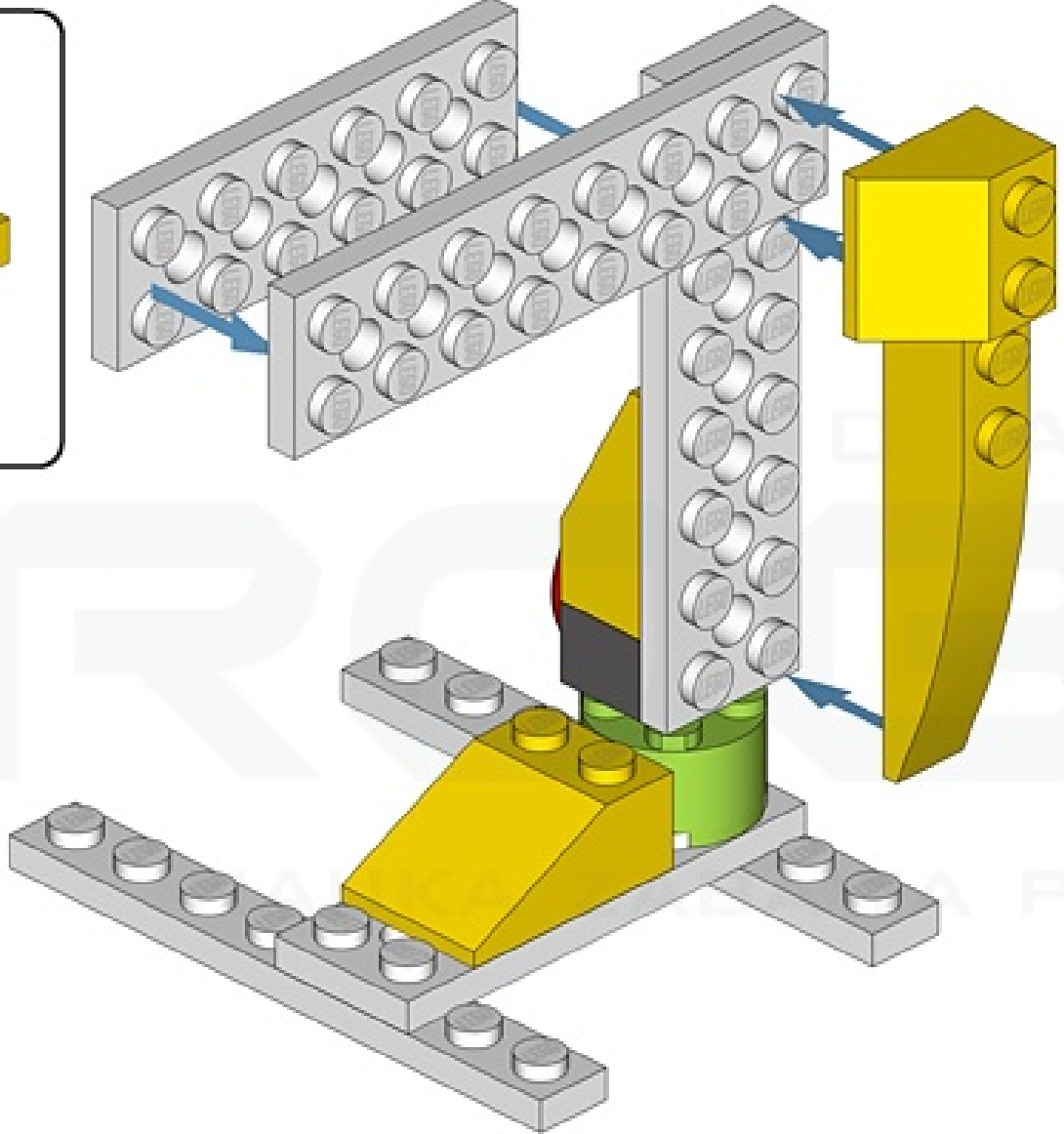
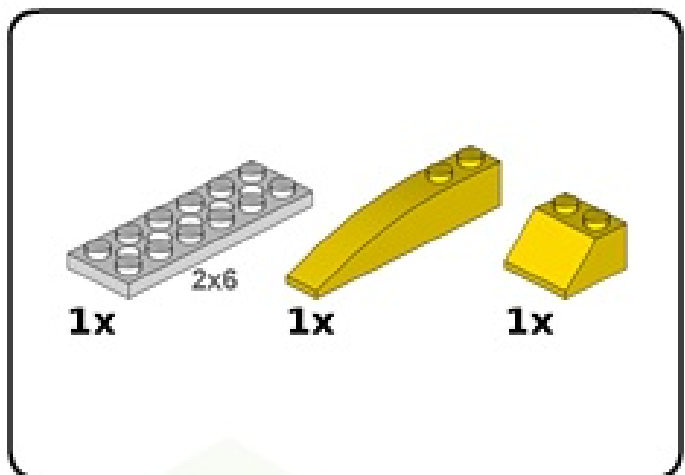
1x

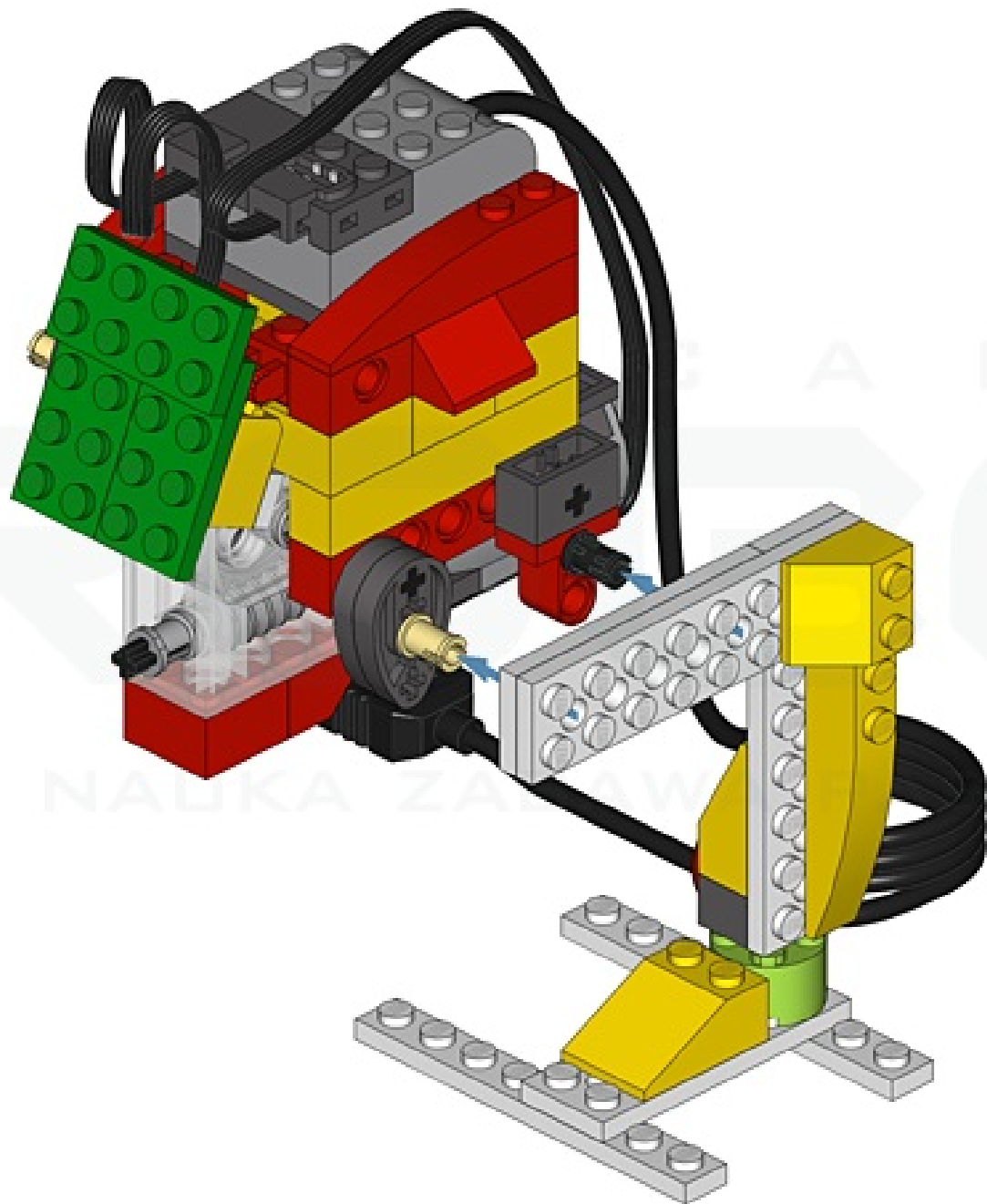
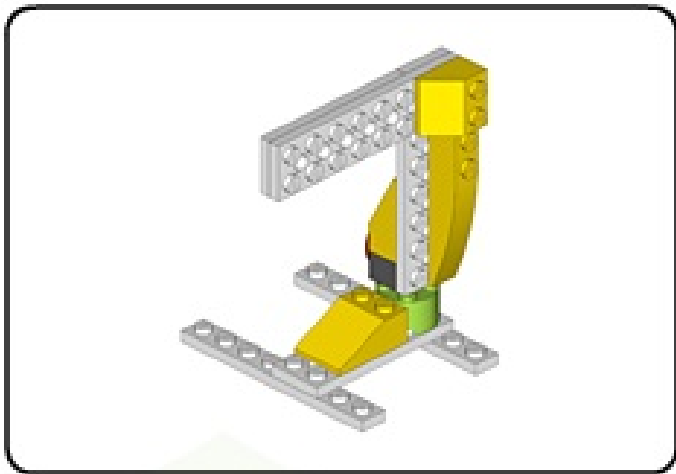














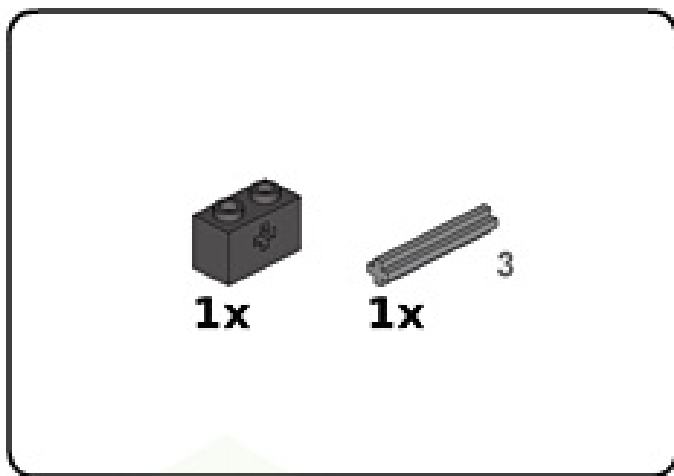
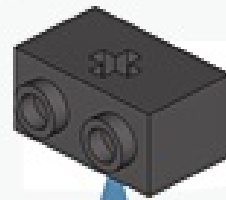


1x



1x

3



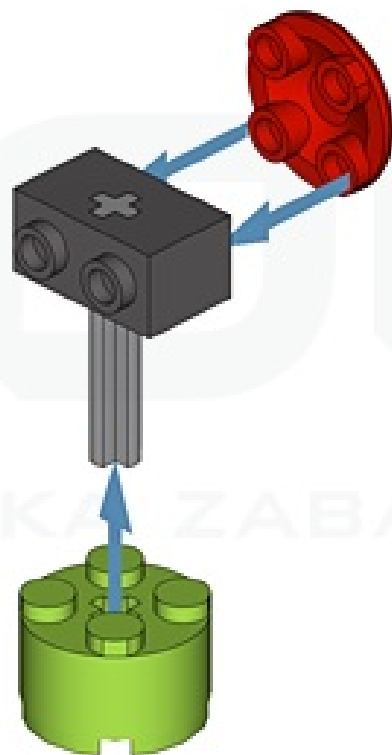
ROBO CAMP  
NAUKA ZABAWA PASJA

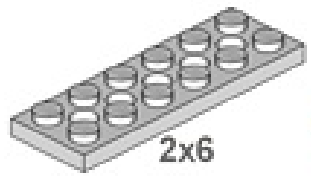


1x



1x



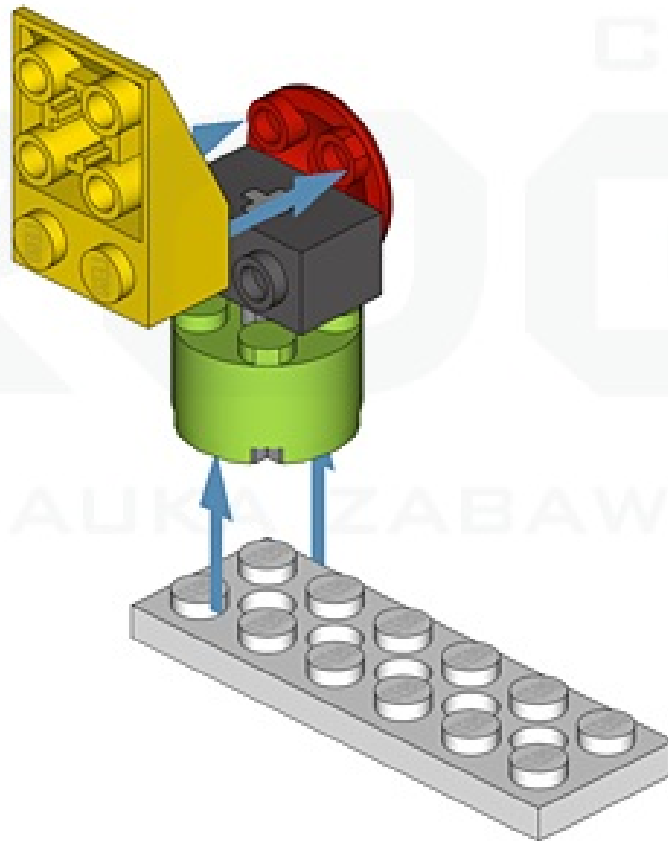


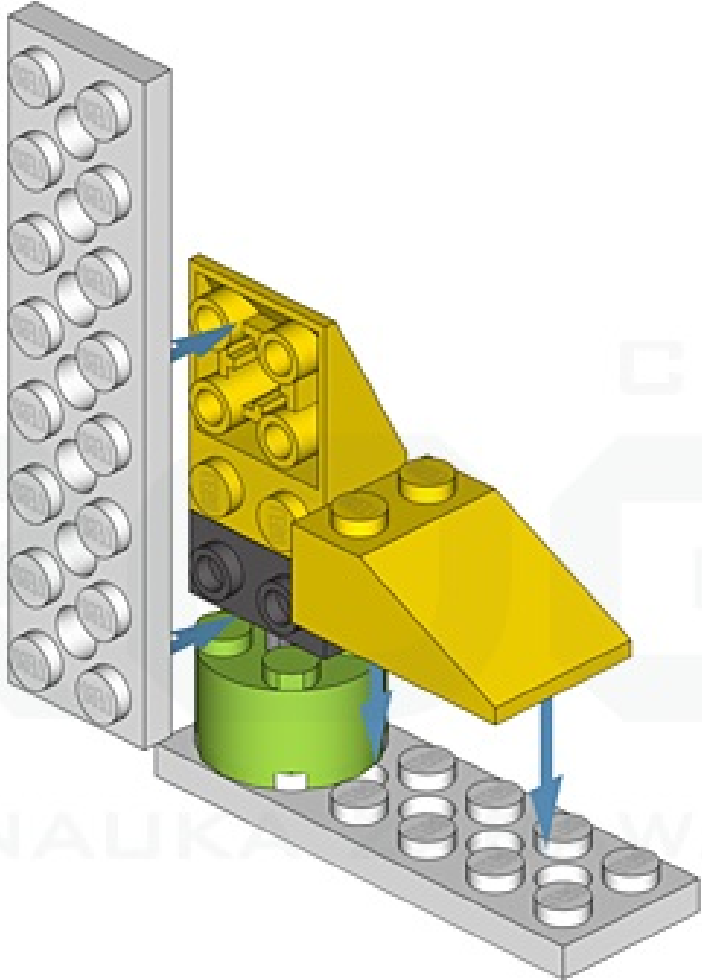
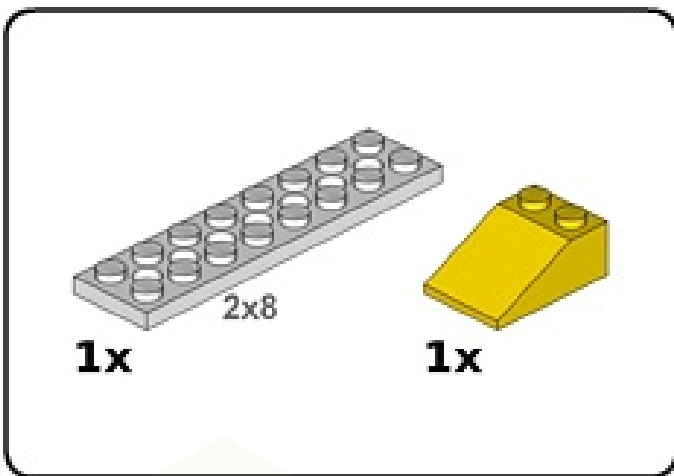
2x6

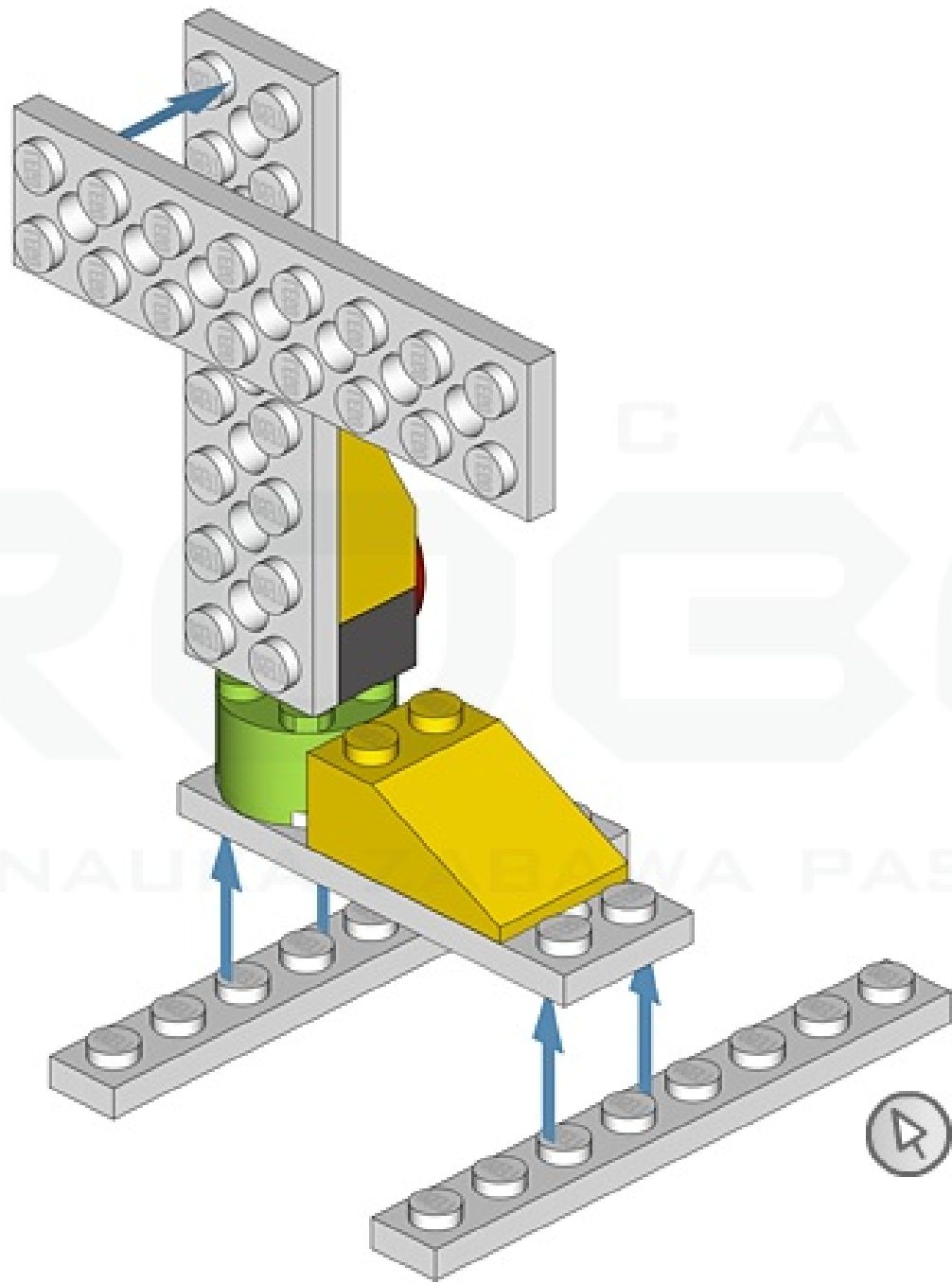
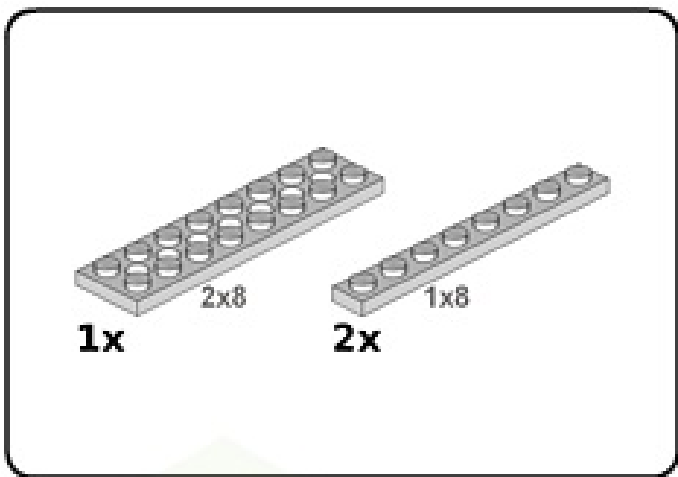
1x



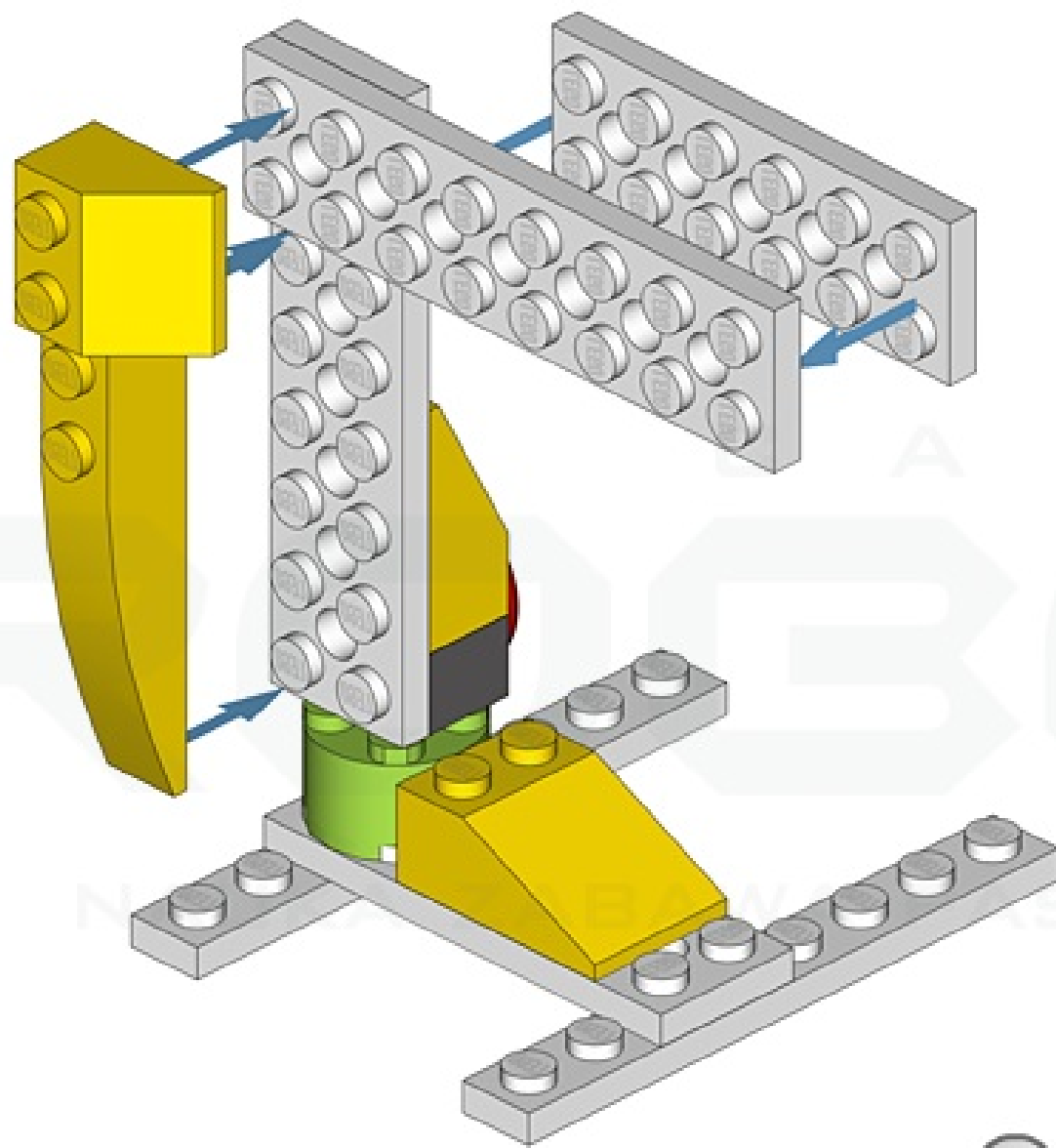
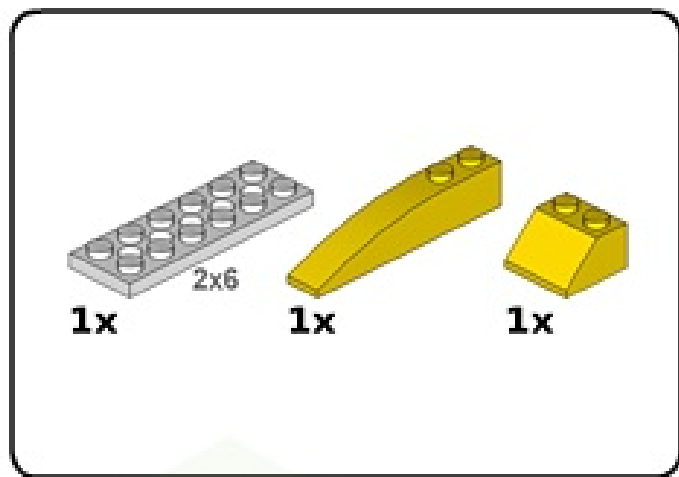
1x

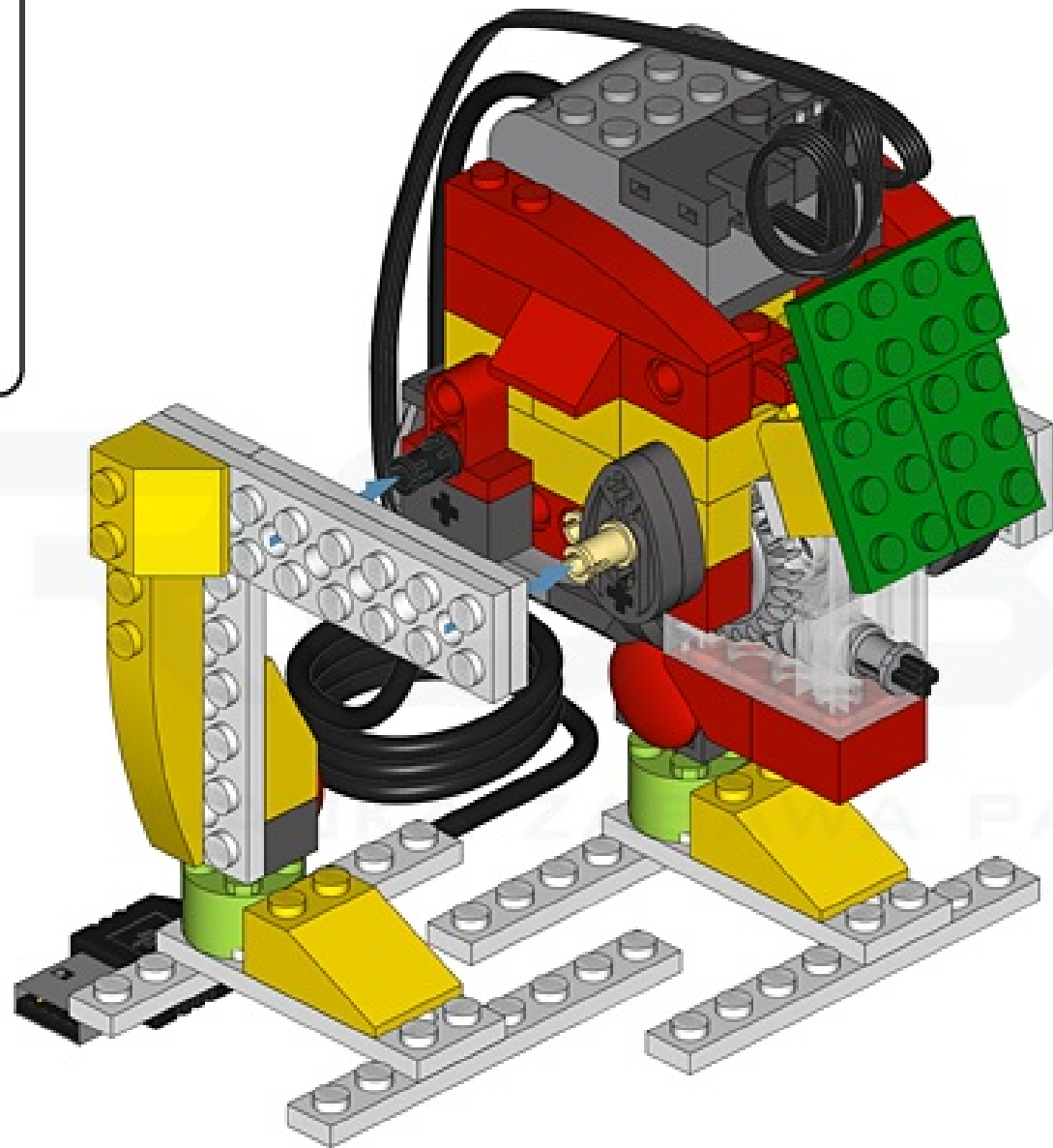
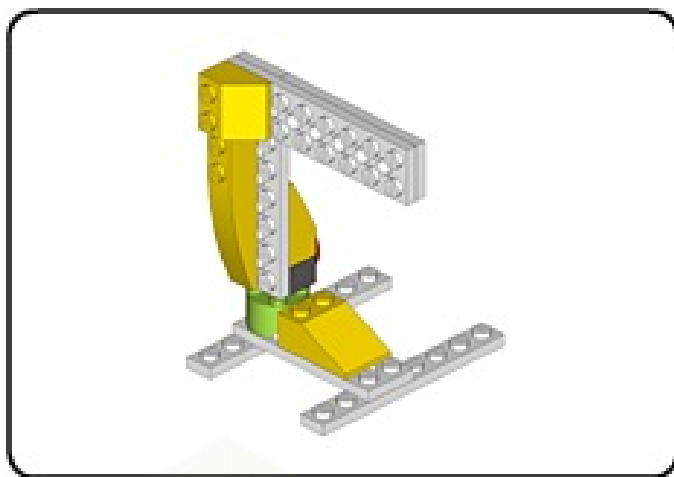






ROBO CAMP  
NAUČNA PASJA



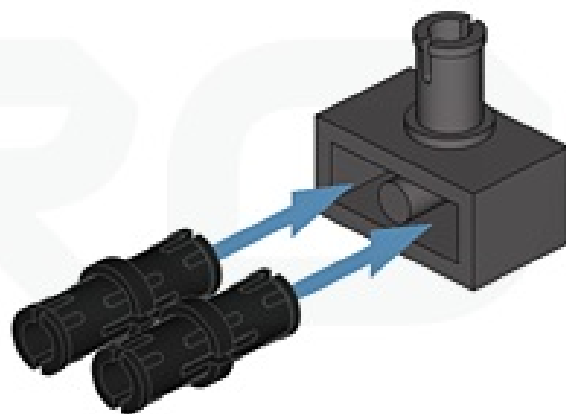




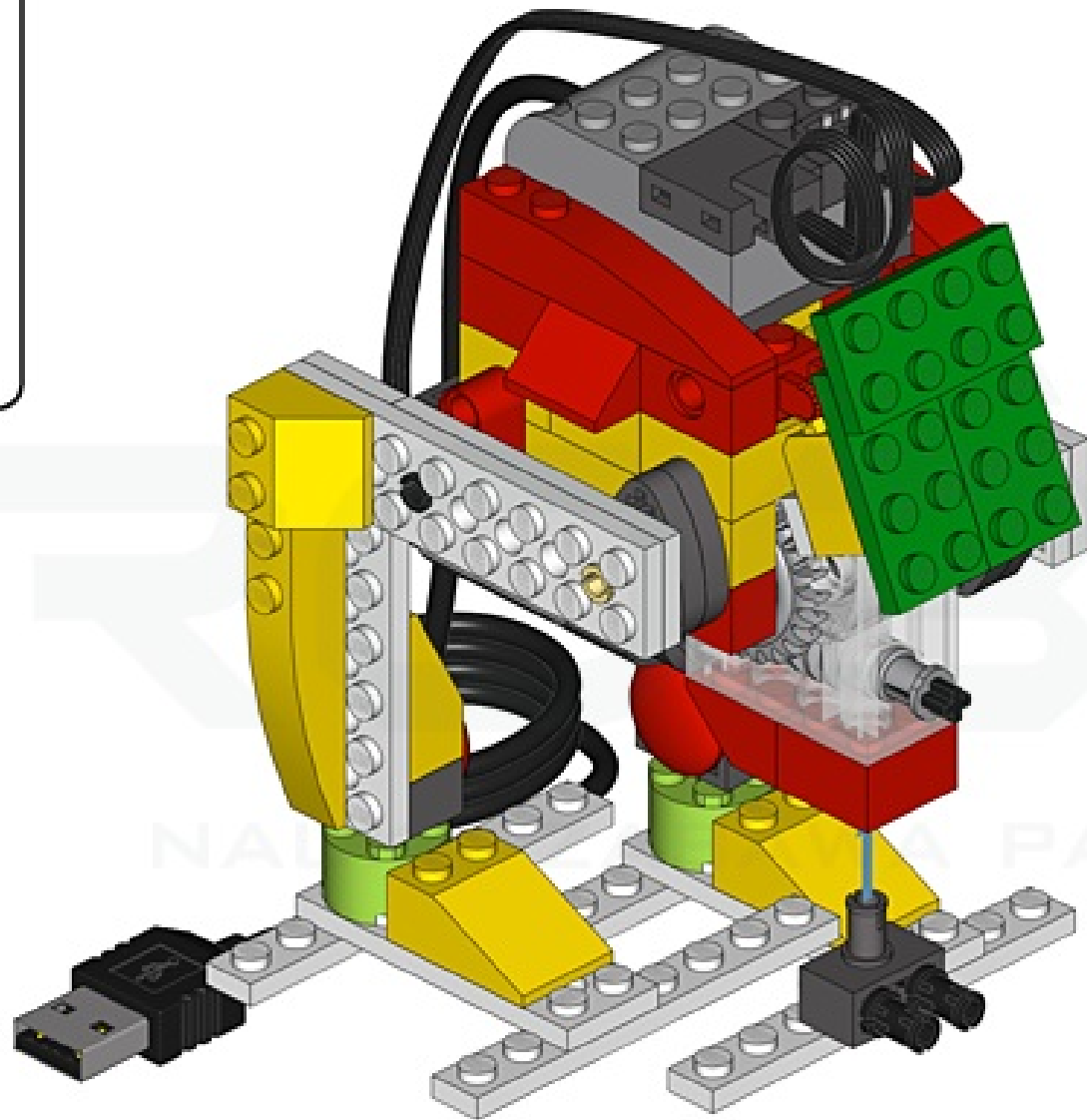
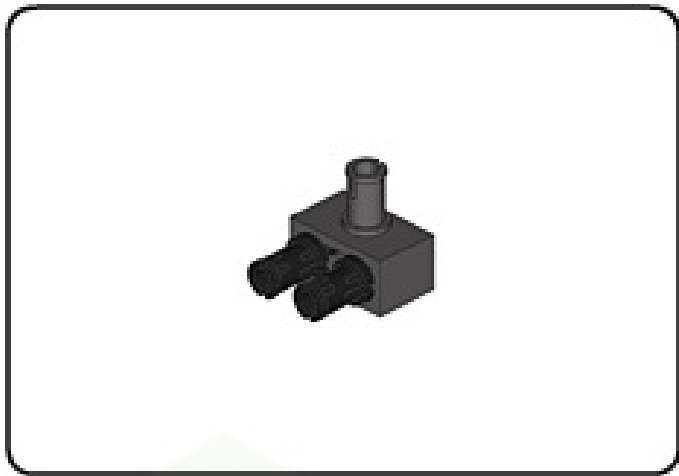
1x



2x









2x



2x

